

<p>Base Price - £2215.00</p> <p>Valid from 01.01.24 to 31.12.24 Please ensure you are using the latest order form</p>	<p>Order no.:</p> <p>-----</p>
----------------------------------------------------------------------------------------------------------------------------------	--------------------------------

Avantgarde 4 DV Active wheelchair

Article number: 480F160=0_AA03_C



Standard equipment

- Aluminium tube frame with double cross brace
- Choice of front frame offset
- Aluminium leg supports, individual leg supports, swing away, removable
- Adaptable back support upholstery
- Aluminium side panels
- Modular design
- Drive wheels with quick-release axles
- Knee lever wheel lock 4.0
- Calf strap

Folding, max. user weight 140 kg
Crash-tested according to DIN ISO 7176-19
(with double cross brace)

<input type="checkbox"/> Provide estimate only	<input type="checkbox"/> Order
<input type="checkbox"/> Attachment for custom fabrication enclosed	
Billing address/customer number	
Delivery address	
Sales person	Name
 Date Signature
<p>By placing the order, you agree to comply with the instructions for use/service manuals for accessories and products of other manufacturers when combining them with an Ottobock product, in addition to the instructions for use/service manuals of the respective Ottobock products. Also you confirm to have read, understood and accepted, our general terms and conditions. In addition, you agree, upon placing an order, to conduct your own conformity assessment or approval in accordance with national requirements if and when you implement modifications or attachments that do not meet the specifications of Ottobock instructions for use/service manuals. Wheelchairs with CLT package cannot be returned or exchanged.</p>	

Front frame type			
MA 000	<input checked="" type="checkbox"/>	DV	£131.00
Front frame offset			
MA 14	<input type="checkbox"/>	0 cm offset	Inclusive
MA 15	<input type="checkbox"/>	2 cm offset	Inclusive

The number codes contained in this order form are not intended to be used as article numbers for spare parts orders.
Please use the spare parts catalogue for spare parts orders.

Information

Anterior seat height in cm	3"	4"	5"	5.5"	6"
38.0	X				
39.0	X				
40.0	X				
41.0	X	X			
42.0	X	X			
43.0	X	X	X		
44.0	X	X	X		
45.0	X	X	X	X	X
46.0	X	X	X	X	X
47.0	X	X	X	X	X
48.0		X	X	X	X
49.0		X	X	X	X
50.0		X	X	X	X
51.0			X	X	X
52.0			X	X	X
53.0				X	X
54.0					X

The values indicated are rounded values which have been theoretically determined. Max. deviation of 1 cm.

The anterior seat height depends on the selected wheel size, caster fork and mounting position. Please refer to the seat height table!

Specified without seat cushion at 0° seat inclination.

Horizontal position of the drive wheel attachment device: see sketch.

The posterior seat height (PSH) depends on the selected wheel size and mounting position in the drive wheel attachment device.

Please refer to the seat height table!

A manufacturing tolerance of 10 mm applies to all measurements and of 10% to specified weights.

Wheelchair measurements*

1 Anterior seat height (ASH)

= ground to top of seat upholstery

2 Lower leg length (LL)

= top of seat upholstery to top of foot plate
(without seat cushion)

3 Posterior seat height (PSH)

= ground to top of seat upholstery

4 Back support height (BH)

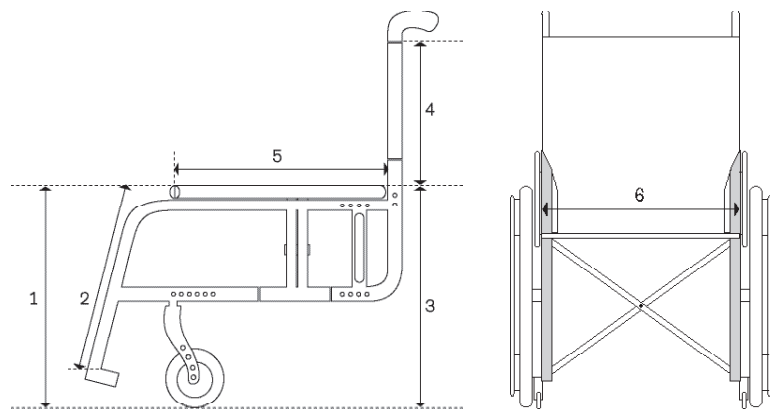
= top of seat tube (crossbrace) to top of back support upholstery

5 Seat depth (SD)

= front of seat upholstery to back support tube

6 Seat width (SW)

= outside edge of frame tube to outside edge of frame tube



Equipment			
MA 110	<input type="checkbox"/>	Standard (for using in wheelchair accessible vehicles according DIN ISO 7176-19)	£2215.00
MA 111	<input type="checkbox"/>	CLT version (incl. MA 114, MA 100, MG 15, MG 200, MH 05, ME 04)	£3486.00
MA 112	<input type="checkbox"/>	CLT version, Ultra (incl. MA 114, MA 100, MG 15, MG 200, MH 05, MD 18, ME 04, MC 18)	£3573.00

Design of drive wheel adapter			
MA 113	<input type="checkbox"/>	With different setting options	Inclusive
MA 114	<input type="checkbox"/>	Permanently welded	£290.00

Cross brace			
MA 100	<input type="checkbox"/>	Single, CLT (max. load capacity 100 kg, up to SW 42)	£123.00
MA 101	<input type="checkbox"/>	Double (for using in wheelchair accessible vehicles according DIN ISO 7176-19)	Inclusive

Type of wheelchair (reduced ground clearance in delivery condition for hemiplegia fittings)*			
	<input type="checkbox"/>	Standard	Inclusive
MB 50	<input type="checkbox"/>	Foot-propelled wheelchair	Inclusive

* Risk due to getting caught on obstacles. Please observe safety information in the instructions for use!

Seat width SW in cm											
<input type="checkbox"/> 32	<input type="checkbox"/> 34	<input type="checkbox"/> 36	<input type="checkbox"/> 38	<input type="checkbox"/> 40	<input type="checkbox"/> 42	<input type="checkbox"/> 44	<input type="checkbox"/> 46	<input type="checkbox"/> 48	<input type="checkbox"/> 50	<input type="checkbox"/> 52	

Seat depth SD in cm										
<input type="checkbox"/> 36	<input type="checkbox"/> 38	<input type="checkbox"/> 40	<input type="checkbox"/> 42	<input type="checkbox"/> 44	<input type="checkbox"/> 46	<input type="checkbox"/> 48	<input type="checkbox"/> 50	<input type="checkbox"/> 52	<input type="checkbox"/> 54	

Anterior seat height in cm										
<input type="checkbox"/> 38	<input type="checkbox"/> 39	<input type="checkbox"/> 40	<input type="checkbox"/> 41	<input type="checkbox"/> 42	<input type="checkbox"/> 43	<input type="checkbox"/> 44	<input type="checkbox"/> 45	<input type="checkbox"/> 46		
<input type="checkbox"/> 47	<input type="checkbox"/> 48	<input type="checkbox"/> 49	<input type="checkbox"/> 50	<input type="checkbox"/> 51	<input type="checkbox"/> 52	<input type="checkbox"/> 53	<input type="checkbox"/> 54			

Frame accessories			
MA 50	<input type="checkbox"/>	Transport wheels, pair	+ 800 g £157.00
MA 51	<input type="checkbox"/>	Tip-assist, right	+ 243 g £60.00
MA 52	<input type="checkbox"/>	Tip-assist, left	+ 243 g £60.00
MA 55	<input type="checkbox"/>	Anti-tipper, right	+ 634 g £122.00
MA 56	<input type="checkbox"/>	Anti-tipper, left	+ 634 g £122.00
MA 57	<input type="checkbox"/>	Crutch holder with tip-assist, right	+ 303 g £86.00
MA 58	<input type="checkbox"/>	Crutch holder with tip-assist, left	+ 303 g £86.00
MA 60	<input type="checkbox"/>	Frame pads long	+ 70 g £75.00
MA 60	<input type="checkbox"/>	Frame pads short	+ 70 g £75.00

Frame accessories			
MF 01	<input type="checkbox"/>	3" skater role	Inclusive
MF 30	<input type="checkbox"/>	4" solid rubber, black	Inclusive
MF 35	<input type="checkbox"/>	4" soft caster, aluminium	£160.00
MF 31	<input type="checkbox"/>	5" solid rubber, black	Inclusive
MF 36	<input type="checkbox"/>	5" soft caster, aluminium	£160.00
MF 04	<input type="checkbox"/>	5.5" soft caster, grey	Inclusive
MF 05	<input type="checkbox"/>	6" pneumatic, grey	Inclusive
MF 32	<input type="checkbox"/>	6" solid rubber, black	Inclusive
MF 37	<input type="checkbox"/>	6" soft caster, aluminium	£160.00

Posterior seat height with wheelbase extension

Axle position	Drive wheel size		
	22"	24"	25"
1	37 cm	39 cm	40 cm
2	40 cm	42 cm	42 cm
3	42 cm	44 cm	45 cm
4	46 cm	46 cm	48 cm
5	47 cm	49 cm	50 cm

Posterior seat height with shock absorber system

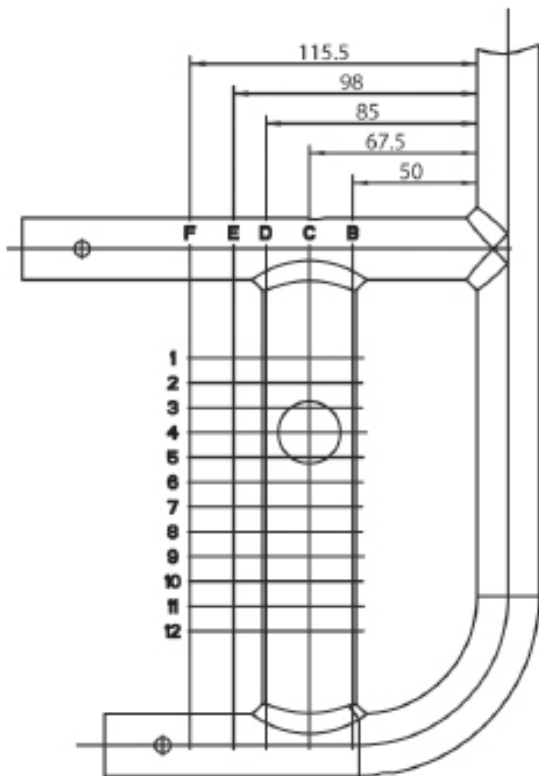
Axle position	Drive wheel size		
	22"	24"	25"
1	40 cm	42 cm	43 cm
2	42 cm	44 cm	45 cm
3	44 cm	46 cm	47 cm
4	46 cm	48 cm	49 cm
5	48 cm	50 cm	51 cm

Posterior seat height

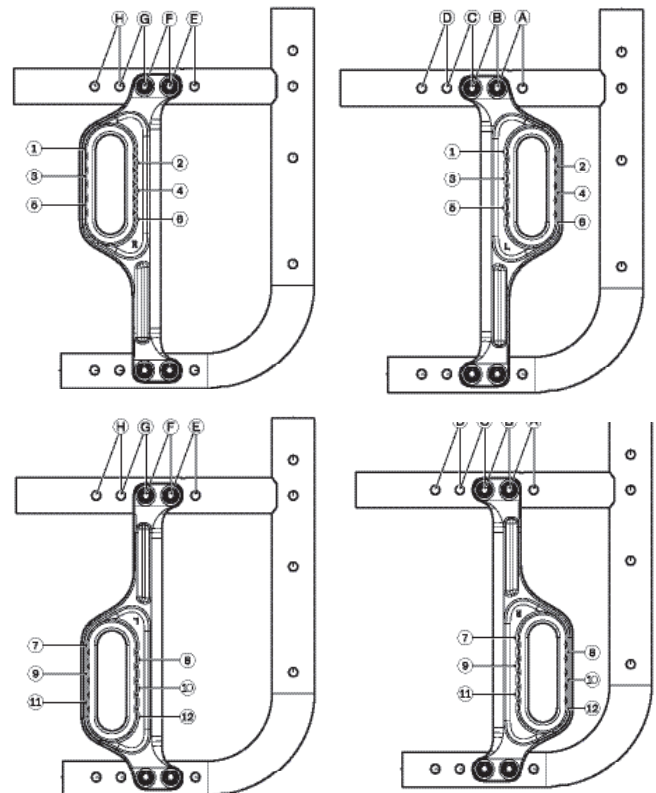
Free mounting positions	Drive wheel size		
	22"	24"	25"
1	36 cm	38 cm	40 cm
2	37 cm	39 cm	41 cm
3	38 cm	40 cm	42 cm
4	39 cm	41 cm	43 cm
5	40 cm	42 cm	44 cm
6	41 cm	43 cm	45 cm
7	42 cm	44 cm	46 cm
8	43 cm	45 cm	47 cm
9	44 cm	46 cm	48 cm
10	45 cm	47 cm	49 cm
11	46 cm	48 cm	50 cm
12	47 cm	49 cm	51 cm

Caster axle	
MF 90	<input checked="" type="checkbox"/> Caster forks with threaded axles Inclusive
Posterior seat height in cm	
<input type="checkbox"/> 36	<input type="checkbox"/> 37
<input type="checkbox"/> 38	<input type="checkbox"/> 39
<input type="checkbox"/> 40	<input type="checkbox"/> 41
<input type="checkbox"/> 42	<input type="checkbox"/> 43
<input type="checkbox"/> 44	<input type="checkbox"/> 45
<input type="checkbox"/> 46	<input type="checkbox"/> 47
<input type="checkbox"/> 48	<input type="checkbox"/> 49
<input type="checkbox"/> 50	<input type="checkbox"/> 51
Drive wheel size	
MG 01	<input type="checkbox"/> 22" Inclusive
MG 02	<input type="checkbox"/> 24" Inclusive
MG 00	<input type="checkbox"/> 25" Inclusive
SBK 13335.000	<input type="checkbox"/> 26" POA
Drive wheel camber	<input type="checkbox"/> 0° <input type="checkbox"/> 2° <input type="checkbox"/> 3° <input type="checkbox"/> 4°
Horizontal drive wheel position (for frame version adjustable)	
<input type="checkbox"/> A	<input type="checkbox"/> B <input type="checkbox"/> C <input type="checkbox"/> D <input type="checkbox"/> E <input type="checkbox"/> F <input type="checkbox"/> G <input type="checkbox"/> H

Drive wheel positions with CLT equipment



From position E, the drive wheel adapter must be turned around – right side to the left side and left side to the right side.



Drive wheel rim			22"	24"	25"	
MG 06	<input type="checkbox"/>	Hollow rims	•	•	•	Inclusive
MG 10	<input type="checkbox"/>	Spinergy SPOX - 360 g		•		£812.00
MG 11	<input type="checkbox"/>	Spinergy LX - 400 g		•		£839.00
MG 12	<input type="checkbox"/>	Spinergy LXL Blade, black spokes - 660 g		•		£949.00
MG 12	<input type="checkbox"/>	Spinergy LXL Blade, white spokes - 660 g		•		£949.00
MG 15	<input type="checkbox"/>	Infinity Ultralight (not possible in combination with MG 34) - 720 g	•	•	•	£115.00
MG 150	<input type="checkbox"/>	Infinity Ultralight, coloured (not possible in comb. with MG 34) - 720 g		•		£197.00
Colour set Infinity Ultralight/caster fork			22"	24"	25"	
	<input type="checkbox"/>	Sparkle light orange		•		
	<input type="checkbox"/>	Marine blue		•		
	<input type="checkbox"/>	Candy red		•		
	<input type="checkbox"/>	Sparkle granny-smith		•		
MG 80	<input type="checkbox"/>	With drum brake / attendant* + 1540 g	•	•		£418.00
MG 83	<input type="checkbox"/>	One-arm drive with double handrim left + 3022 g		•		£886.00
MG 83	<input type="checkbox"/>	One-arm drive with double handrim right + 3022 g		•		£886.00

* not possible in combination with camber

Tyres			22"	24"	25"	
MG 30	<input type="checkbox"/>	Pneumatic tyre 1 3/8"		•		Inclusive
MG 31	<input type="checkbox"/>	Schwalbe RightRun 1" - 542 g	•	•	•	Inclusive
MG 34	<input type="checkbox"/>	PU 1" (not possible in combination with MG 15/MG 150) - 198 g		•		Inclusive
MG 341	<input type="checkbox"/>	PU 1", black (not possible in combination with MG 15/MG 150) - 198 g		•		Inclusive
MG 37	<input type="checkbox"/>	Schwalbe Marathon Plus Evolution 1" - 168 g	•	•	•	£53.00
MG 371	<input type="checkbox"/>	Schwalbe Marathon Plus Evolution 1.1" - 163 g		•		£70.00
MG 200	<input type="checkbox"/>	Schwalbe ONE 1" - 768 g		•		£109.00

Handrims			22"	24"	25"	
MG 50	<input type="checkbox"/>	Aluminium, black coated	•	•	•	Inclusive
MG 52	<input type="checkbox"/>	Aluminium, silver anodised, high - 40 g	•	•	•	£34.00
MG 53	<input type="checkbox"/>	Aluminium, silver anodised, low - 120 g	•	•		£34.00
MG 54	<input type="checkbox"/>	rubber-coated + 500 g	•	•	•	£160.00
MG 56	<input type="checkbox"/>	Stainless steel, polished, high + 620 g	•	•	•	£61.00
MG 57	<input type="checkbox"/>	Stainless steel, polished, low + 580 g	•	•		£61.00
MG 63	<input type="checkbox"/>	Curve L (anodised) + 200 g		•	•	£407.00
MG 64	<input type="checkbox"/>	Curve L Grip for users with limited gripping function + 840 g		•	•	£441.00
MG 65	<input type="checkbox"/>	GEKKO, ergonomic handrim +580 g		•	•	£286.00

Handrim mounting					
SBK 13379.001	<input type="checkbox"/>	Mounting position more narrow to customer requirements _____ mm			POA
MG 70	<input type="checkbox"/>	Mounting position narrow (15 mm)			Inclusive
MG 71	<input type="checkbox"/>	Mounting position wide (25 mm)			Inclusive

Wheelbase extension including wheel lock adapter					
MG 86	<input type="checkbox"/>	Extra long			£246.00
MG 82	<input type="checkbox"/>	Extra long with second fitting			£264.00
MG 46	<input type="checkbox"/>	Without			Inclusive

Quick-release axle system			
MG 27	<input type="checkbox"/>	Quick-release axle	Inclusive
MG 28	<input type="checkbox"/>	Quick-release axle with Tetra release	+ 158 g £161.00
Drive wheel accessories			
MG 87	<input type="checkbox"/>	High-pressure air pump, 14 bar	£119.00
MG 88	<input type="checkbox"/>	Airman pump	£185.00
Shock absorber			
MG 97	<input type="checkbox"/>	Damping "soft" (up to 60 kg)	£440.00
MG 98	<input type="checkbox"/>	Damping "medium" (61 kg – 100 kg)	£440.00
MG 99	<input type="checkbox"/>	Damping "hard" (101 kg – 140 kg)	£440.00
Wheel locks			
MH 01	<input type="checkbox"/>	Knee lever wheel lock 4.0	Inclusive
MH 30	<input type="checkbox"/>	Knee lever wheel lock 4.0, long lever	Inclusive
MH 05	<input type="checkbox"/>	Scissor wheel lock	- 32 g £193.00
MH 06	<input type="checkbox"/>	Knee lever wheel lock for user and attendant	+ 470 g £322.00
MH 08	<input type="checkbox"/>	Knee lever wheel lock for one-handed operation, right	+ 180 g £416.00
MH 09	<input type="checkbox"/>	Knee lever wheel lock for one-handed operation, left	+ 180 g £416.00
Wheel lock accessories			
MH 10	<input type="checkbox"/>	Wheel lock lever extension, fixed	£41.00
MH 21	<input type="checkbox"/>	Wheel lock lever extension, pluggable	£93.00
Back support height in cm			
<input type="checkbox"/> 25 <input type="checkbox"/> 27.5 <input type="checkbox"/> 30 <input type="checkbox"/> 32.5 <input type="checkbox"/> 35 <input type="checkbox"/> 37.5 <input type="checkbox"/> 40 <input type="checkbox"/> 42.5 <input type="checkbox"/> 45 <input type="checkbox"/> 47.5 <input type="checkbox"/> 50 <input type="checkbox"/> 52.5 <input type="checkbox"/> 55			
Back support system			
MD 01	<input type="checkbox"/>	Back support, height-adjustable, straight <input type="checkbox"/> RH 25 – 32,5 cm <input type="checkbox"/> RH 32,5 – 40 cm <input type="checkbox"/> RH 42,5 – 50 cm <input type="checkbox"/> RH 52,5 – 55 cm	Inclusive
MD 09	<input type="checkbox"/>	Back support, height-adjustable, with lumbar curve <input type="checkbox"/> RH 35 – 40 cm <input type="checkbox"/> RH 40 – 45 cm <input type="checkbox"/> RH 45 – 50 cm <input type="checkbox"/> RH 50 – 55 cm	Inclusive
MD 10	<input type="checkbox"/>	Back support, angle-adjustable in 6° increments (-15 to +9°) <input type="checkbox"/> RH 30 – 40 cm <input type="checkbox"/> RH 35 – 45 cm <input type="checkbox"/> RH 40 – 50 cm	+ 426 g £252.00
MD 12	<input type="checkbox"/>	Firmly welded back support <input type="checkbox"/> 0° <input type="checkbox"/> -5° <input type="checkbox"/> -10° <input type="checkbox"/> -15°	£109.00
Back support upholstery			
MD 03	<input type="checkbox"/>	Adaptable, padded	£57.00
MD 05	<input type="checkbox"/>	Adaptable, breathable	Inclusive
MD 18	<input type="checkbox"/>	Ultra light	£49.00
MD 06	<input type="checkbox"/>	Without	Inclusive
Back support pad widening			
MD 80	<input type="checkbox"/>	+ 2 cm	Inclusive
MD 81	<input type="checkbox"/>	+ 4 cm	Inclusive
MD 82	<input type="checkbox"/>	Without	Inclusive
Use of BAXX back support system (include order form, model-specific restrictions are possible)			
MD 44	<input type="checkbox"/>	Baxx aluminium back support, enclosed	£673.00

Push handles				
MD 50	<input type="checkbox"/>	Short		Inclusive
MD 51	<input type="checkbox"/>	Long	+ 128 g	Inclusive
MD 52	<input type="checkbox"/>	Telescoping, long	+ 178 g	£172.00
MD 55	<input type="checkbox"/>	Height-adjustable/removable	+ 530 g	£204.00
MD 56	<input type="checkbox"/>	Fold-down (max. load capacity 125 kg/275 lbs)	+ 108 g	£145.00
MD 59	<input type="checkbox"/>	Without	- 258 g	Inclusive

Back support accessories				
MD 58	<input type="checkbox"/>	Stabiliser bar		£177.00

Side panels				
ME 01	<input type="checkbox"/>	With protection against the cold		Inclusive
ME 02	<input type="checkbox"/>	With splash guard and protection against the cold	+ 186 g	£59.00
ME 04	<input type="checkbox"/>	Carbon, with splash guard	- 126 g	£651.00
ME 05	<input type="checkbox"/>	Desk side panel with arm support, short	+ 352 g	£341.00
ME 06	<input type="checkbox"/>	Desk side panel with arm support, long	+ 536 g	£341.00
SBK 24811.010	<input type="checkbox"/>	Side panel with arm support, pluggable (not in combination with single cross brace CLT (MA 100))		POA

Side panel accessories				
ME 50	<input type="checkbox"/>	Arm support padded, swing away (not possible in combin. with desk side panel) <input type="checkbox"/> short <input type="checkbox"/> long <input type="checkbox"/> long, extra high		£375.00
ME 60	<input type="checkbox"/>	Tray		£248.00
ME 66	<input type="checkbox"/>	Tray, half side <input type="checkbox"/> left <input type="checkbox"/> right		£257.00
ME 61	<input type="checkbox"/>	Swivel unit for channel forearm pads, right *		£166.00
ME 62	<input type="checkbox"/>	Swivel unit for channel forearm pads, left *		£166.00

*: replaces the existing arm support

Channel forearm pad				
ME 70	<input type="checkbox"/>	Channel forearm pad, one-piece, left		£71.00
ME 71	<input type="checkbox"/>	Channel forearm pad, one-piece, right		£71.00

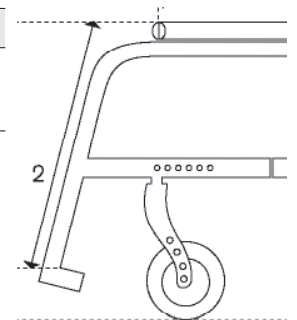
Seat upholstery				
MC 15	<input type="checkbox"/>	Seat upholstery with storage compartment		£45.00
MC 16	<input type="checkbox"/>	Upholstery readjustable		Inclusive
MC 18	<input type="checkbox"/>	Ultra light		£49.00
MC 06	<input type="checkbox"/>	Without		Inclusive

Seat cushions				
MC 01	<input type="checkbox"/>	Standard (cushion thickness 5 cm)		£98.00
MC 02	<input type="checkbox"/>	Cubic Foam (cushion thickness 5 cm)		£141.00
MC 05	<input type="checkbox"/>	Evolight (cushion thickness 6 cm)		£201.00
MC 20	<input type="checkbox"/>	Terra (cushion thickness 10 cm)		£188.00
MC 21	<input type="checkbox"/>	Terra Aquos (cushion thickness 10 cm)		£226.00
MC 22	<input type="checkbox"/>	Terra Flair (cushion thickness 10 cm)		£566.00
MC 23	<input type="checkbox"/>	Cloud (cushion thickness 10 cm)		£553.00
MC 29	<input type="checkbox"/>	Livo (cushion thickness 5 cm)		£82.00
MC 30	<input type="checkbox"/>	Evoflair (cushion thickness 8 cm)		£293.00

Material	Aluminium (serrated, MB 160)		Plastic (MB 170)		Accessories	
Leg support	Inclusive		Inclusive			
Single-panel (MB 000) Inclusive	<input type="checkbox"/> Standard (MB 100)	Inclusive	-		<input type="checkbox"/> With lock (MB 70)	£74.00
	<input type="checkbox"/> For short LL (MB 150)	£180.00	-		-	
Individual	<input type="checkbox"/> Standard 16 cm (MB 010)	Inclusive	<input type="checkbox"/> Standard (MB 010)	Inclusive	-	
Elevating	-		<input type="checkbox"/> Pair (MB 25)	£336.00	-	
	-		<input type="checkbox"/> Right* (MB 26)	£169.00	-	
	-		<input type="checkbox"/> Left* (MB 27)	£169.00	-	
Tube foot support	<input type="checkbox"/> Standard (MB 120)	£118.00	-		<input type="checkbox"/> Plastic footplate (MB 74)	£53.00

Lower leg length in cm (without seat cushion)

Lower leg length (LL) in cm (available setting range 16 cm – 55 cm)



Choice of foot support bar (without seat cushion)			
MB 40	<input type="checkbox"/>	Short (30 – 43 cm)	Inclusive
MB 41	<input type="checkbox"/>	Medium (35 – 48 cm)	Inclusive
MB 42	<input type="checkbox"/>	Long (40 – 53 cm)	Inclusive
MB 43	<input type="checkbox"/>	Extra long (≥ 45 cm)	Inclusive

Other accessories			
MZ 51	<input type="checkbox"/>	Lap belt with metal buckle	£82.00
MZ 59	<input type="checkbox"/>	Pocket for mobile phone	£34.00

Spoke protectors			
MG 90	<input type="checkbox"/>	Transparent	£154.00
MG 100	<input type="checkbox"/>	Graphic decor	£225.00
MG 101	<input type="checkbox"/>	Miracle decor	£225.00
MG 102	<input type="checkbox"/>	Network decor	£225.00
MG 103	<input type="checkbox"/>	Robots decor	£225.00
MG 104	<input type="checkbox"/>	Spectrum decor	£225.00

Frame colours			
001	<input type="checkbox"/>	Brilliant silver	Inclusive
002	<input type="checkbox"/>	Anthracite metallic	Inclusive
003	<input type="checkbox"/>	Jet black RAL 9005	Inclusive
004	<input type="checkbox"/>	Ice blue	Inclusive
005	<input type="checkbox"/>	Sparkle light orange	Inclusive
009	<input type="checkbox"/>	Vinho sparkle	Inclusive
010	<input type="checkbox"/>	Marine blue	Inclusive
012	<input type="checkbox"/>	Sky blue	Inclusive
014	<input type="checkbox"/>	Candy red	Inclusive
021	<input type="checkbox"/>	Sparkle granny-smith	Inclusive
023	<input type="checkbox"/>	White RAL 9016	Inclusive
027	<input type="checkbox"/>	Shimano matte	Inclusive
032	<input type="checkbox"/>	Pure metal blue	£440.00
033	<input type="checkbox"/>	Pure metal green	£440.00
034	<input type="checkbox"/>	Pure metal bronze	£440.00
035	<input type="checkbox"/>	Pure metal red	£440.00
048	<input type="checkbox"/>	Jet black matte (structure)	Inclusive
SBK 24817.000	<input type="checkbox"/>	Special colour to customer requirements _____	POA

Special accessories			
MZ 52	<input type="checkbox"/>	Tool kit	£63.00
MZ 58	<input type="checkbox"/>	Bag for drive wheels (for 2 drive wheels up to 28")	£116.00
MZ 65	<input type="checkbox"/>	Active lighting	£34.00
MZ 89	<input type="checkbox"/>	Protection for quick-release-axle	£10.00
MZ 92	<input type="checkbox"/>	Wheelblades (Mini-skis for caster wheels)	£455.00
MZ 93	<input type="checkbox"/>	Backpack	£67.00

Information



MA 55/56 Anti-tipper



MA 51/52 Tip-assist



MA 57/58 Crutch holder



MB 120 Tube foot support



MF 35/36/37 4/5/6" soft
caster



MG 100 Graphic



MG 104 Spectrum



MG 10 Spinergy SPOX



MG 06 Hollow rim



MG 15 Infinity Ultralight



MG 11 Spinergy LX



MG83 One-arm drive with
double handrim



MC 15 Seat upholstery
with storage compartments



MD 56 Fold-down push
handles



MD 55 Push handles, height-
adjustable/ removable



MB 27 Elevating leg
support



MH 10 Wheel lock lever
extension



MG 28 Tetra release



MA 114 Drive wheel adapter,
permanently welded