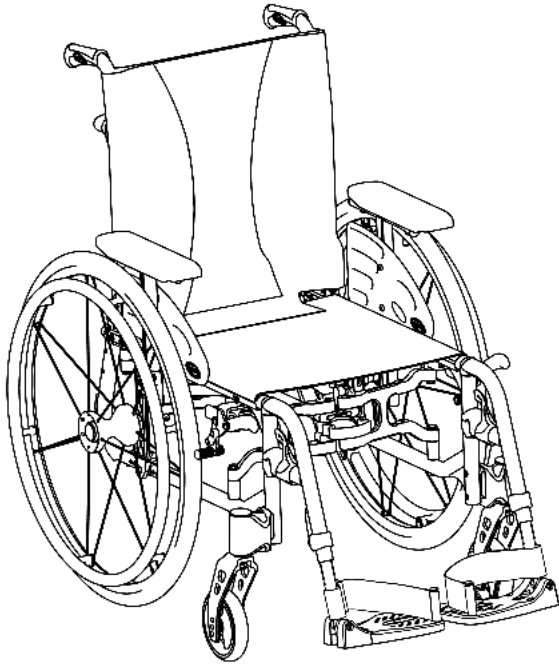


# Invacare® Action® 5/MyOn HC

en **Manual Wheelchair  
User Manual**



This manual **MUST** be given to the user of the product.  
**BEFORE** using this product, this manual **MUST** be read and saved for  
future reference.



***Yes, you can.®***

©2023 Invacare Corporation

All rights reserved. Reproduction, duplication or modification in whole or in part is prohibited without prior written permission from Invacare Corporation. Trademarks are identified by ™ and ®. All trademarks are owned by or licensed to Invacare Corporation or its subsidiaries unless otherwise noted.

# Contents

<b>1 General</b> .....	<b>5</b>
1.1 Introduction .....	5
1.2 Symbols in this Document .....	5
1.3 Warranty Information .....	6
1.4 Limitation of Liability .....	6
1.5 Compliance .....	6
1.5.1 Product-specific standards .....	6
1.6 Service Life .....	6
<b>2 Safety</b> .....	<b>7</b>
2.1 Safety information .....	7
2.2 Safety Devices .....	9
2.3 Labels and symbols on the product .....	9
<b>3 Product Overview</b> .....	<b>12</b>
3.1 Product Description .....	12
3.2 Intended use .....	12
3.3 Main parts of the wheelchair .....	13
3.4 Parking Brakes .....	14
3.5 Backrest .....	15
3.5.1 Standard Backrest Cover .....	15
3.5.2 Adjustable Backrest Cover .....	15
3.5.3 Backrest cover height .....	16
3.5.4 Fixed backrest .....	17
3.5.5 Angle adjustable backrest (-15°/+15°) .....	17
3.5.6 Folding backbrace for the backrest .....	18
3.5.7 Push handles .....	18
3.6 Mudguard .....	19
3.7 Armrests .....	20
3.7.1 Tubular armrest, height-adjustable, swiveling .....	20
3.7.2 Armrest, stepless height adjustable, removable .....	21
3.7.3 Armrest, height adjustable, foldable .....	21
3.8 Leg rests .....	22
3.8.1 Swing away leg rests .....	22
3.8.2 Swing Away, Angle Adjustable Leg Rests .....	23
3.9 Anti-tipper .....	25
3.10 Seat cushion .....	27
<b>4 Options</b> .....	<b>28</b>
4.1 Posture belt .....	28
4.2 Tipper aid .....	29
4.3 Air pump .....	30
4.4 Passive illumination .....	30
4.5 Cane holder .....	30
4.6 Luggage carrier .....	31
4.7 Securing strap .....	31
<b>5 Setup</b> .....	<b>32</b>
5.1 Safety information .....	32
5.2 Delivery check .....	32
<b>6 Using the wheelchair</b> .....	<b>33</b>
6.1 Safety information .....	33
6.2 Braking During Use .....	34
6.3 Move to/from the wheelchair .....	35
6.4 Driving and Steering the Wheelchair .....	36
6.5 Negotiating steps and kerbs .....	37
6.6 Going up and down stairs .....	39
6.7 Negotiating Ramps and Slopes .....	39
6.8 Stability and balance when seated .....	41
<b>7 Transport</b> .....	<b>42</b>
7.1 Safety information .....	42
7.2 Folding and unfolding the wheelchair .....	42
7.3 Lifting the wheelchair .....	44
7.4 Removing and fitting the rear wheels .....	44
7.5 Transporting the Manual Wheelchair without Occupant .....	45
7.6 Transporting the Occupied Wheelchair in a Vehicle .....	45
<b>8 Maintenance</b> .....	<b>51</b>
8.1 Safety information .....	51
8.2 Maintenance Schedule .....	51

8.3	Cleaning and Disinfection . . . . .	54
8.3.1	General Safety Information . . . . .	54
8.3.2	Cleaning Intervals . . . . .	54
8.3.3	Cleaning . . . . .	54
8.3.4	Disinfection . . . . .	55
<b>9</b>	<b>Troubleshooting . . . . .</b>	<b>56</b>
9.1	Safety information . . . . .	56
9.2	Identifying and repairing faults . . . . .	57
<b>10</b>	<b>After Use . . . . .</b>	<b>59</b>
10.1	Storage . . . . .	59
10.2	Disposal . . . . .	59
10.3	Reconditioning . . . . .	59
<b>11</b>	<b>Technical Data . . . . .</b>	<b>60</b>
11.1	Dimensions and weight . . . . .	60
11.2	Maximum Weight of Removable Parts . . . . .	61
11.3	Tyres . . . . .	62
11.4	Materials . . . . .	62
11.5	Environmental conditions . . . . .	63

# 1 General

## 1.1 Introduction

This user manual contains important information about the handling of the product. To ensure safety when using the product, read the user manual carefully and follow the safety instructions.

Only use this product if you have read and understood this manual. Seek additional advice from a healthcare professional who is familiar with your medical condition and clarify any questions regarding the correct use and necessary adjustment with the healthcare professional.

Note that there may be sections in this document, which are not relevant to your product, since this document applies to all available models (on the date of printing). If not otherwise stated, each section in this document refers to all models of the product.

The models and configurations available in your country can be found in the country-specific sales documents.

Invacare reserves the right to alter product specifications without further notice.

Before reading this document, make sure you have the latest version. You find the latest version as a PDF on the Invacare website.

If you find that the font size in the printed document is difficult to read, you can download the PDF version from the website. The PDF can then be scaled on screen to a font size that is more comfortable for you.

For more information about the product, for example product safety notices and product recalls, contact your Invacare distributor. See addresses at the end of this document.

In case of a serious incident with the product, you should inform the manufacturer and the competent authority in your country.

## 1.2 Symbols in this Document

Symbols and signal words are used in this document and apply to hazards or unsafe practices which could result in personal injury or property damage. See the information below for definitions of the signal words.



### WARNING

Indicates a hazardous situation that could result in serious injury or death if it is not avoided.



### CAUTION

Indicates a hazardous situation that could result in minor or slight injury if it is not avoided.



### NOTICE

Indicates a hazardous situation that could result in damage to property if it is not avoided.



### Tips and Recommendations

Gives useful tips, recommendations and information for efficient, trouble-free use.

## Other Symbols

(Not applicable for all manuals)



UK Responsible Person  
Indicates if a product is not manufactured in the UK.



Triman  
Indicates recycling and sorting rules (only relevant for France).

### 1.3 Warranty Information

We provide a manufacturer's warranty for the product in accordance with our General Terms and Conditions of Business in the respective countries.

Warranty claims can only be made through the provider from whom the product was obtained.

### 1.4 Limitation of Liability

Invacare accepts no liability for damage arising from:

- Non-compliance with the user manual
- Incorrect use
- Natural wear and tear
- Incorrect assembly or set-up by the purchaser or a third party
- Technical modifications
- Unauthorised modifications and/or use of unsuitable spare parts

### 1.5 Compliance

Quality is fundamental to the company's operation, working within the disciplines of ISO 13485.

This product features the CE mark, in compliance with the Medical Device Regulation 2017/745 Class I.

This product features the UKCA mark, in compliance with Part II UK MDR 2002 (as amended) Class I.

We are continuously working towards ensuring that the company's impact on the environment, locally and globally, is reduced to a minimum.

We only use REACH compliant materials and components.

#### 1.5.1 Product-specific standards

The wheelchair has been tested in accordance with EN 12183. It includes testing for flammability.

For further information about local standards and regulations, contact your local Invacare representative. See addresses at the end of this document.

### 1.6 Service Life

The expected service life of this product is five years when used daily and in accordance with the safety instructions, maintenance intervals and correct use, stated in this manual. The effective service life can vary according to frequency and intensity of use.

## 2 Safety

### 2.1 Safety information

This section contains important safety information for the protection of the wheelchair user and assistant and for safe, trouble-free use of the wheelchair.



#### **WARNING!**

##### **Risk of death or serious injury**

In case of fire or smoke, wheelchair occupants are at particular risk of death or serious injury, when they are not able to move away from the source of fire or smoke. Lighted matches, lighter and cigarettes can cause an open flame in the wheelchair surroundings or on clothes.

- Avoid using or storing the wheelchair near open flames or combustible products.
- Do not smoke while using the wheelchair.



#### **WARNING!**

##### **Risk of accidents and serious injury**

Accidents with resulting serious injury can occur if the wheelchair is wrongly adjusted.

- Contact your wheelchair provider in order to a qualified technician does the adjustments needed.



#### **WARNING!**

##### **Risk of overturning**

The longitudinal position of the rear wheels axis compared to the backrest position affects the wheelchair stability.

- Moving the rear wheels axis frontwards makes the wheelchair less stable, increasing the risk of tipping backwards. But it improves the manoeuvrability with a better grip position of the handrim and a short turning radius.
- Moving the rear wheels axis backwards makes the wheelchair more stable, and it will tilt less easily. But it reduces the manoeuvrability.
- Depending on your particular abilities and safety limits, you can install an anti-tipper device to compensate the decrease of stability.



#### **WARNING!**

##### **Risk of tilting**

The rear wheel axle position and the angle of your wheelchair's backrest are two of the key adjustments that can affect your stability.

- The changes of rear/front wheels position and/or angle fork adjustments must only be performed by a qualified technician after the assessment of your healthcare professional.



**WARNING!**

**Risk due to driving style being unsuitable for environmental the conditions**

There is a risk of skidding on wet ground, gravel or uneven terrain.

- Always adjust your speed and driving style to the conditions (weather, surface, individual ability, etc.).



**WARNING!**

**Risk of injury**

In a collision you could sustain injury to parts of your body that extend beyond the wheelchair (e.g. feet or hands).

- Avoid an unbraked collision.
- Never drive into an object head-on.
- Drive carefully through narrow passages.



**WARNING!**

**Risk due to wheelchair being out of control**

At high speed you could lose control of your wheelchair and overturn.

- Never exceed a speed of 7 km/h.
- Avoid collisions in general.



**CAUTION!**

**Risk of burning**

The wheelchair components can heat up when exposed to external sources of heat.

- Do not expose the wheelchair to strong sunlight before use.
- Before use, check all components that come into contact with your skin for their temperature.



**CAUTION!**

**Risk of getting parts of body caught**

There is always a risk of getting parts of the body e.g. fingers or arms, caught in the moving parts of the wheelchair.

- Take attention while activating and deactivating the mechanisms of moving parts, such as the removable axle of the rear wheel, folding backrest or anti-tipper.



**WARNING!**

**Risk of tipping**

The hanging of additional load (back pack or similar items) onto your wheelchair back posts can affect the rearward stability of your wheelchair. This can cause the chair to tip backwards causing injury.

- Try to avoid putting additional load in the back of the wheelchair.
- We strongly recommend the use of anti-tippers when using your back posts with additional load.





**CAUTION!**  
**Risk of injury**

– In case of pressure sore or injured skin, protect your injuries to avoid a direct contact with the fabrics of the device. Refer to a healthcare professional for medical advice.



**CAUTION!**  
**Risk of injury**

When combining the wheelchair with another device, the restrictions of both devices apply for the combination. E.g. If the maximum user weight of the two device are different, apply always the lowest for the combination.

– Only use combinations with other devices which are allowed by Invacare. Contact your authorized provider for more information.

– Before use, read the user manual of each device and check the restrictions.

**2.2 Safety Devices**



**WARNING!**  
**Risk of accidents**

Safety devices that are incorrectly set or no longer working (brakes, anti-tipper) can cause accidents.

– Always check that the safety devices are working before you use the wheelchair and have them checked regularly by a qualified technician or your authorized provider.



**CAUTION!**  
**Risk of Injury**

Non-original or wrong parts may affect the function and safety of the product.

– Only use original parts for the product in use.

– Due to regional differences, refer to your local Invacare catalogue or website for available options or contact your Invacare distributor. See addresses at the end of this document.

The functions of the safety devices are described in chapter 3 *Product Overview*, page 12.



**2.3 Labels and symbols on the product**

**Identification label**


The identification label is attached to the frame of your wheelchair and gives the following information:



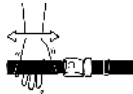
- Ⓐ Manufacturer’s address
- Ⓑ EAN/HMI barcode
- Ⓒ European conformity
- Ⓓ United Kingdom conformity
- Ⓔ Read user manual
- Ⓕ Medical device
- Ⓖ Maximum user weight
- Ⓗ Serial number barcode
- Ⓘ Serial number
- Ⓝ Reference number
- Ⓚ Seat width
- Ⓛ Product description
- Ⓜ Date of manufacture

	<p>Read user manual</p>
	<p>Indicates a hazardous situation that could result in serious injury or death if it is not avoided.</p>

### Non-locking side parts warning label



	<p>Do not lift the wheelchair by non-locking side parts.</p>
---	--

### Posture belt information label

	<p>The posture belt has the good length, when there’s just sufficient space for a flat hand between body and belt.</p>
---	--

## Snap hook symbols

Depending on the configuration, some wheelchairs may be used as a seat in a motor vehicle, some may not.

	<p>Tie-down positions where the restraint system straps must be placed in case of transporting the occupied wheelchair in a motor vehicle. This symbol is only attached to the wheelchair when it is ordered with the transportation kit option.</p>
	<p><b>WARNING Symbol</b> This wheelchair is not configured for passenger transport in a motor vehicle. This symbol is attached to the frame close to the identification label.</p>

## 3 Product Overview

### 3.1 Product Description

This is a medium active wheelchair with horizontal folding mechanism and swing-away leg rests.



#### **NOTICE!**

- The wheelchair is manufactured and configured individually to the specifications in the order. The specification must be performed by a healthcare professional according to the user's requirements and health condition.
  - Consult a healthcare professional if you intend to adapt the wheelchair configuration.
  - Any adaptation should be performed by a qualified technician.

### 3.2 Intended use

The medium active wheelchair is intended to provide mobility to persons limited to a sitting position, who are propelling the wheelchair themselves frequently.

The wheelchair may be used indoors and outdoors on level ground and accessible terrain.

#### **Intended users**

The wheelchair is intended for persons ages 12 and up (adolescents and adults). The weight of the wheelchair occupant must not exceed the maximum user weight as stated in the Technical Data section and on the identification label.

The intended user is the wheelchair occupant and/or an assistant.

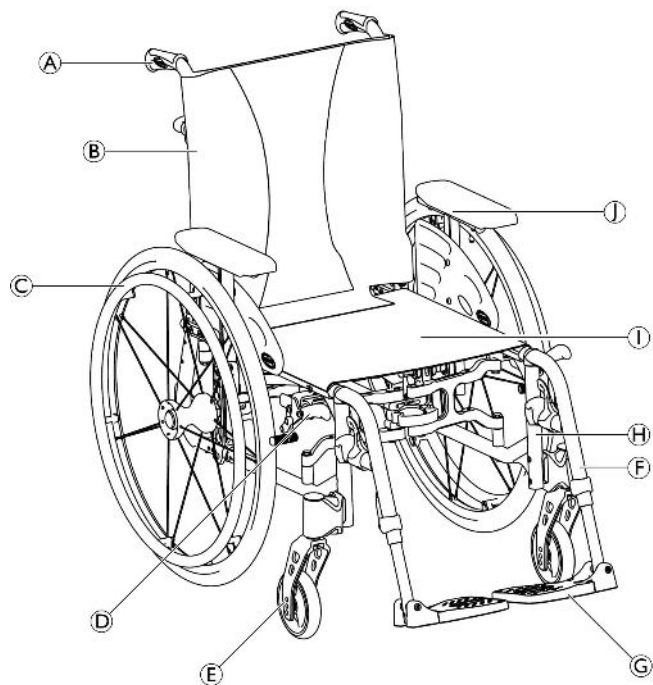
The user should physically and mentally be able to use the wheelchair safely (e.g. to propel, steer, brake).

#### **Indications/ contra-indications**

- Considerable to complete impairment of mobility due to structural and/or functional damage to the lower extremities.
- Sufficient strength and gripping function of arms and hands to propel the wheelchair.

There are no contra-indications known, when using the wheelchair as intended.

### 3.3 Main parts of the wheelchair



- Ⓐ Push handle
- Ⓑ Backrest
- Ⓒ Rear wheel with handrim
- Ⓓ Parking brake
- Ⓔ Front fork with castor
- Ⓕ Leg rests, swiveling
- Ⓖ Footrest
- Ⓗ Frame
- Ⓘ Seat
- ⓵ Armrest

**i** The equipment of your wheelchair may differ from the diagram as each wheelchair is manufactured individually to the specifications in the order.

### 3.4 Parking Brakes

The parking brakes are used to immobilize the wheelchair when it is stationary to prevent it from rolling away.



#### **WARNING!**

##### **Risk of overturning if you brake sharply**

If you engage the parking brakes while you are moving, the direction of movement can become uncontrollable and the wheelchair may stop suddenly, which can lead to a collision or to you falling out.

- Never engage the parking brakes while you are moving.



#### **WARNING!**

##### **Risk due to wheelchair being out of control**

- The parking brakes must be operated simultaneously.
- Do not engage the parking brakes to slow down the wheelchair.
- Do not lean on the parking brakes for support or transfer.



#### **WARNING!**

##### **Risk of overturning**

The parking brakes will not operate correctly unless there is sufficient air in the tyres.

- Ensure the correct tyre pressure, *11.3 Tyres, page 62.*



#### **CAUTION!**

##### **Risk of pinching or crushing**

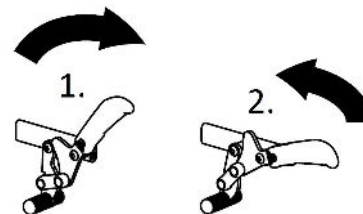
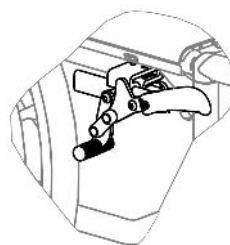
There may be a very small gap between the rear wheel and the parking brake with the risk that you could trap your fingers.

- Keep your fingers away from movable parts when using the brake, always keep your hand on the brake lever.



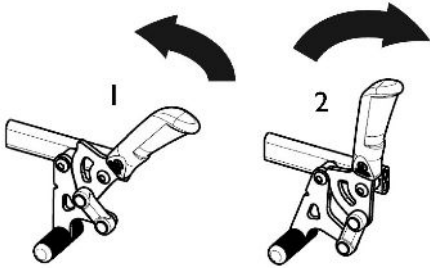
The distance between the brake shoe and the tyre can be adjusted. The adjustment must be carried out by a qualified technician.

#### **Standard brake**




1. To engage the brake, push the brake lever forwards with the palm as far as possible.
2. To disengage the brake, pull the brake lever backwards with the low fingers.

## Pull brake



1. To engage the brake, pull the brake lever backwards with the low fingers as far as possible.
2. To disengage the brake, push the brake lever forwards with the palm.

 The lever of the push handle can be folded back to facilitate transfers. To do so, pull up the lever and fold it backwards.

## 3.5 Backrest

There are two types of backrest (Fixed and Angle adjustable) available.



**WARNING!**  
**Risk of injury to the assistant and damage to the wheelchair**

Tilting the chair with a heavy user can hurt the assistant's back and damage the chair.  
– Make sure to be able to safely control the wheelchair with a heavy user before performing a tilting maneuver.

### 3.5.1 Standard Backrest Cover



A standard backrest cover is available for all backrest types. These covers are not adjustable.



#### **WARNING!**

#### **Risk of tipping**

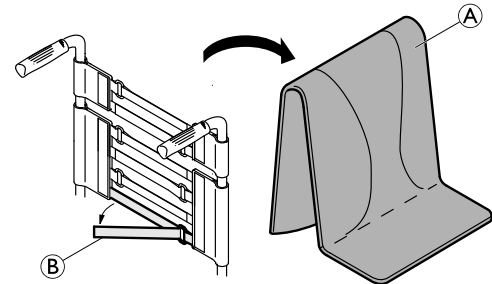
If the standard backrest cover become slack, the tipping point of your wheelchair is changed for the worse.

- Slack standard backrest cover must be replaced by a qualified technician.

### 3.5.2 Adjustable Backrest Cover

You can adjust the tension of the backrest cover as required.

#### Adjusting the backrest cover



1. Remove the backrest cushion **A**.
2. Loosen the hook and loop strips **B** on the rear of the backrest cover by simply pulling on them.
3. Tighten or loosen the strips as required then reattach them.



**WARNING!**

**Risk of tipping**

If the bands are set very loose, the tipping point of your wheelchair is changed for the worse.

- Ensure that the bands are set correctly.



**NOTICE!**

- Do not overtighten the bands; this is to ensure that the geometry of the wheelchair is not changed.



**NOTICE!**

- Only ever tighten the bands when the wheelchair is unfolded.

### 3.5.3 Backrest cover height

The backrest cover height can be adjusted for all backrest types.



**WARNING!**

**Risk of tipping**

The hanging of additional load (back pack or similar items) onto your wheelchair back posts can affect the rearward stability of your wheelchair. This can cause the chair to tip backwards causing injury.

- Therefore, Invacare strongly recommend the use of anti-tippers (available as an option) when using your back posts with additional load (back pack or similar items).



The height of the backrest cover can be adjusted on the back posts. The adjustment must be carried out by a qualified technician.

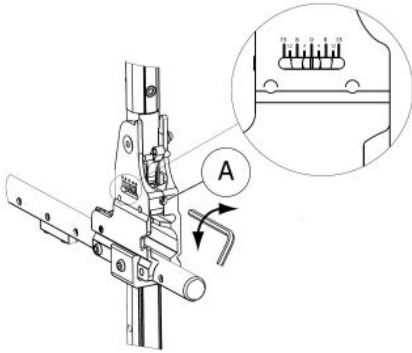


### 3.5.4 Fixed backrest

Fixed backrest of 0° and 7°: these two backrests do not require adjustments.

### 3.5.5 Angle adjustable backrest (-15°/+15°)

The angle of the backrest can be adjusted from -15° to +15° (step less).



1. Adjust the backrest angle thanks to the adjustable screw (A).
2. Turn 5 mm Allen key clockwise to obtain a negative angle.
3. Alternatively, turn 5 mm Allen key under clockwise to obtain a positive angle.
4. Ensure both adjustments to the desired angle are equal on both sides.

Invacare recommends that the backrest angle adjustment is carried out by a qualified technician.



#### **WARNING!**

##### **Risk of tipping**

Do not move the wheelchair when the backrest is in reclined position.

- Invacare strongly recommend the use of anti-tippers (available as an option) when the backrest is in reclined position .



#### **WARNING!**

##### **Risk of injury**

- Invacare strongly recommends the use of anti-tippers (available as an option) in combination with all rear wheel positions when you use your backrest with an angle of 12° and more



#### **CAUTION!**

##### **Risk of uncomfortable posture**

An angle less than 90° between the seat and the backrest is uncomfortable for certain users.

- This adjustment must be performed by a qualified technician upon agreement by a prescribing physician. Please consult with your provider.

### 3.5.6 Folding backbrace for the backrest

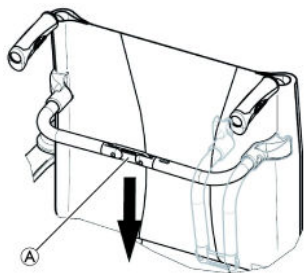
An optional folding backbrace is available to increase the rigidity of the backrest on wheelchairs with large back heights or widths.



#### CAUTION!

– Do not use the folding backbrace to lift or push the wheelchair. It could break.

#### Folding the backbrace



1. Unlock the folding backbrace by pushing the joint (A) slightly downwards.
2. Fold the backbrace downwards.



The folding backbrace will automatically release when the chair is folded.

#### Unfolding the backbrace

1. Fold the backbrace upwards.
2. Lock the folding backbrace by pulling the joint (A) slightly upwards.

### 3.5.7 Push handles

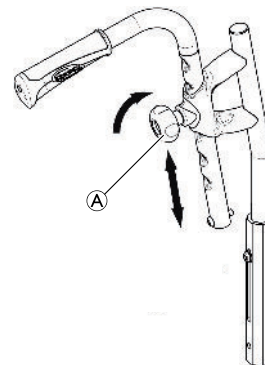


#### NOTICE!

– Always check the push handles before using the wheelchair, as to whether the hand grips are secure, cannot be turned and cannot be pulled off.

#### Height adjustable, rear set push handles (optional)

The height adjustable, rear set push handles allow any assistant to adjust the handles to a comfortable level.



1. To set the height of the push handles, loosen the knob (A), push the handle to the desired position and tighten the knob again.

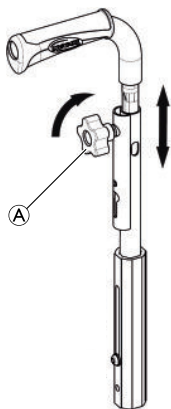
**CAUTION!**

If the knob is not correctly tightened, the push handle could accidentally come off the backrest tube while pushing it upwards.

- Make sure that the knob is firmly tightened.

**Height adjustable, integrated push handles (optional)**

The height adjustable, integrated push handles allow any assistant to adjust the handles to a comfortable level.



1. To set the height of the push handles, loosen the knob **A**, push the handle to the desired position and tighten the knob again.

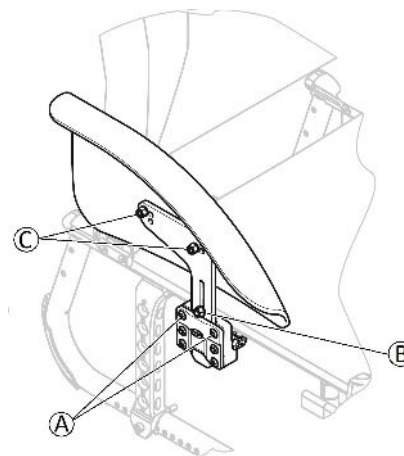
**CAUTION!**

If the knob is not correctly tightened, the push handle could accidentally come off the backrest tube while pushing it upwards.

- Make sure that the knob is firmly tightened.

**3.6 Mudguard**

In order to prevent dirt from the wheels spraying upwards, a removable mudguard can be fitted. The position of the mudguard can be adjusted. The adjustment must be carried out by a qualified technician.



## Removing

1. Pull the mudguard upwards out of the holder.
2. To adjust how easy or difficult it is to pull the mudguard out of the holder, change the degree to which the screws Ⓐ are tightened.

## Fitting

1. Push the mudguard into the holder.

## Adjusting the height

1. Unscrew screw Ⓑ, place it in the desired hole and re-tighten the screws.

## Adjusting the depth, fine adjusting the height

1. Unscrew screws Ⓒ, reposition the mudguard and re-tighten the screws.

## 3.7 Armrests



### WARNING!

#### Risk of injury

- The side rests are not locked and can be easily pulled out upwards.
- Do not lift or transfer the wheelchair using the side rests.
  - Do not use the side rests for transportation when carrying the wheelchair up- or downstairs.

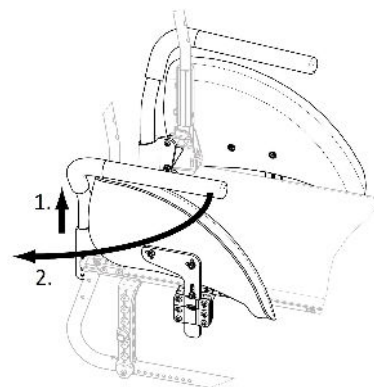


### CAUTION!

#### Risk of pinching

- Keep your fingers away from movable parts during removing, fitting or adjusting the armrest.

### 3.7.1 Tubular armrest, height-adjustable, swiveling



## Removing

1. Raise the armrest and pull it upwards out of the holder.

## Fitting

1. Push the armrest into the holder.

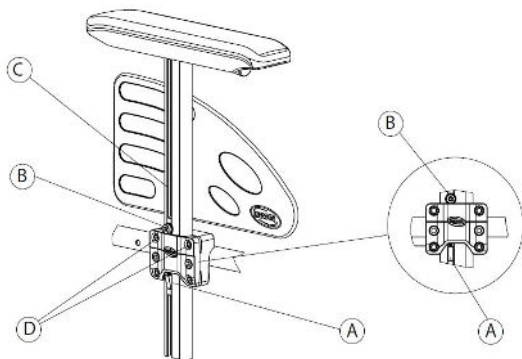
## Adjusting the height

1. Pull the armrest out of the holder.
2. Loosen the screw on the tube of the armrest and screw it back in at the desired height.
3. Push the armrest back into the holder.
4. Perform the setting on both sides.

## Swiveling

1. Raise the armrest a little.
2. Swivel it outwards.

### 3.7.2 Armrest, stepless height adjustable, removable



#### Removing

1. Apply the parking brake on both sides.
2. Previously press on the locking mechanism (A) located at the bottom of the armrest vertical bracket (if so equipped).
3. Pull the armrest by the arm cushion out of the holder.
4. To adjust how easy or difficult it is to pull the armrest out of the holder, change the degree to which the screws (D) are tightened.

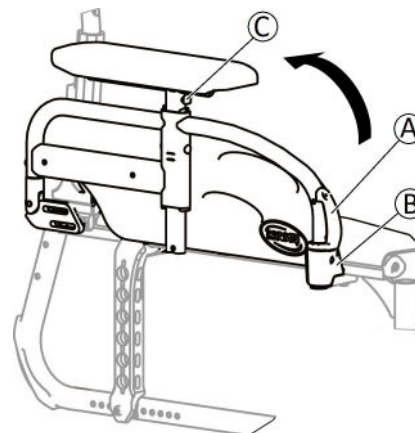
#### Fitting

1. Push the armrest into the holder.

### Adjusting the height

1. Loosen the screw (B) with 5 mm Allen key in the groove (C) of the armrest tube.
2. Move the armrest upwards or downwards until you reach the desired height, while keeping screw (B) in place (at the top edge of the holder).
3. Tighten the screw (B) (5–6 Nm).
4. Perform the setting on both sides.

### 3.7.3 Armrest, height adjustable, foldable



#### Folding

1. Grip the armrest by the cushion or by the front curve and fold it back.

## Removing

1. Press and hold the armrest release bracket (A) at the front.
2. Remove armrest from armrest socket by pulling straight up and fold it back.

## Fitting

1. Push the armrest down and until the front release button (B) snaps into its armrest socket hole.
2. Ensure button protrudes fully through socket hole.

## Adjusting the height

1. Press the button (C) on the front or rear of the support and move the armrest upwards or downwards until you reach the desired height.
2. Let the button engage in the desired hole.
3. Perform the setting on both sides.

## 3.8 Leg rests



### WARNING!

#### Risk of injury

- Never lift the wheelchair by the footrest supports or leg rests.



### CAUTION!

#### Risk of pinching or crushing fingers

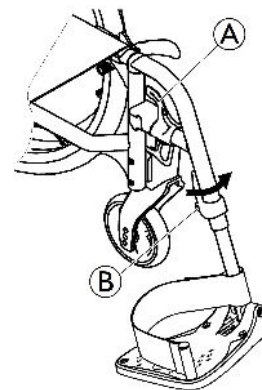
- There are swing mechanisms where you could trap your fingers.
- Be careful when using, swinging, disassembling or adjusting these mechanisms.



### NOTICE!

- Risk of damage to the leg rest mechanism
- Do not place anything heavy, or let children sit on the leg rest.

### 3.8.1 Swing away leg rests



#### Swinging outwards

1. Activate the release lever (A) and swing the leg rests to the outside.

#### Swinging forwards

1. Swing the leg rest forwards until it engages.

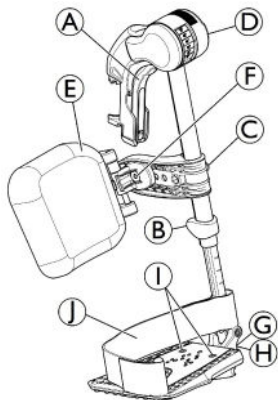
#### Unhinging

1. Activate the release lever (A).
2. Pull the leg rest upwards.

## Hinging

1. Hinge the leg rest on the front of the frame and swing it forwards until it engages.

### 3.8.2 Swing Away, Angle Adjustable Leg Rests



## Swinging outwards

1. Activate the release lever Ⓐ and swing the leg rests outwards.

## Swinging forwards

1. Swing the leg rest forwards until it engages.

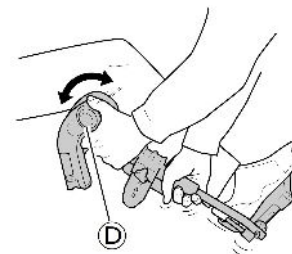
## Unhinging

1. Activate the release lever Ⓐ, swing the leg rest outwards.
2. Pull the leg rest upwards.

## Hinging

1. Push the leg rest down into its receiver and swing it forwards until it engages.

## Adjusting angle

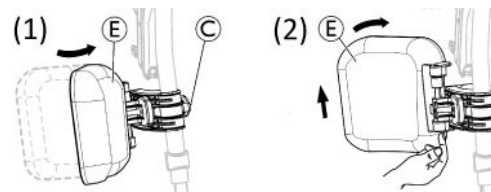


There are six preset positions available for angle adjustment.

1. Rotate the knob Ⓓ with one hand while supporting the leg rest with your other hand.
2. When a suitable angle is obtained, let go off the knob and the leg rest will lock into the desired position.

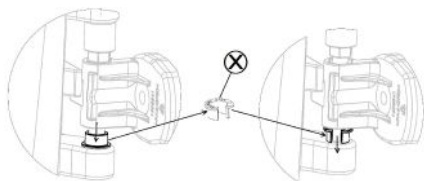
## Swinging calf pad and adjustments

- Swinging calf pad forwards (1) or backwards (2):




1. Swing calf pad Ⓔ forwards (1).
2. Pull up the calf pad Ⓔ and swing it backwards (2).

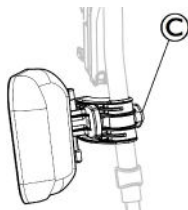
- Locking the calf pad swing backwards:



1. Extract the grey spacer open ring ⊗ out of its location.
2. Reverse the grey spacer open ring.
3. Insert the grey spacer open ring ⊗ as shown on the right side of the diagram.

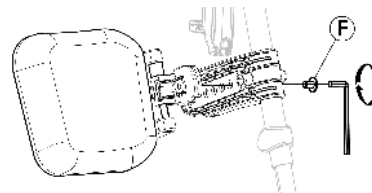
 Reverse this procedure to unlocking the calf pad swing backwards.

- Adjusting height of calf pad:



1. Loosen knob ©.
2. Adjust to the desired height and firmly tighten the knob.

- Adjusting depth of calf pad



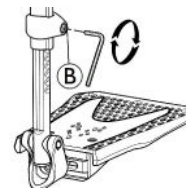
The calf pad has four depth adjustment options:

1. Remove the fixing screw © with 5 mm Allen key.
2. Adjust to one of the four positions and firmly tighten the fixing screw © (3–5 Nm).


### Adjusting foot plate

There are three different fold-up foot plates available.

- Standard height-adjustable foot plates:

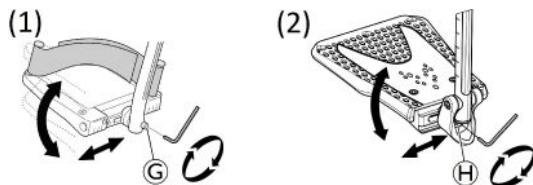


1. Loose the fixing screw © with 5 mm Allen key.
2. Adjust the height and let the screw catch one of the recesses on the foot plate tube.
3. Tighten the fixing screw © (3–5 Nm) in the desired position.

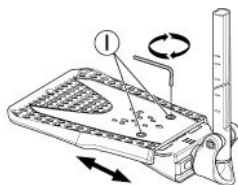
 The distance between the lowest part of the footrest and the ground must be at least 50 mm.



- Depth-, Angle- (1) and Width- (2) adjustable foot plates:



1. Loosen the fixing screw © or ④ with 5 mm Allen key.
  2. Adjust the depth and angle positions and firmly tighten the fixing screw © (12 Nm) or ④ (8–9 Nm) in the desired position.
- Width-adjustable foot plates (2):

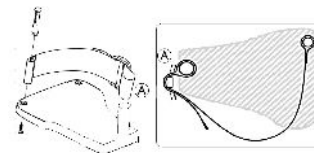


1. Loosen the two fixing screws ① with 5 mm Allen key.
2. Adjust the width position and firmly tighten the two fixing screws ① (3–5 Nm) in the desired position.

Invacare recommends that foot plate adjustment is carried out by a qualified technician.



To ensure a good position of the feet, two types of straps can be provided; the heel strap (serial) and the calf strap (optional) attached to the leg rest support. Both adjustable by hook and loop fasteners or sliding buckle.



The plastic buckle must be fitted facing outwards and as close as possible to the tube of the footplate ⑤.

### 3.9 Anti-tipper

An anti-tipper prevents the wheelchair from tipping backwards.



#### **WARNING!**

#### **Risk of overturning**

Anti-tippers that are incorrectly set or no longer working can lead to overturning.

- Always check that the anti-tipper is working before using the wheelchair and have it set or readjusted by a qualified technician when required.
- In some configurations, the static stability of the wheelchair may be lower than 10°; Invacare strongly recommends the use of anti-tipper (available as an option).



**WARNING!**

**Risk of overturning**

On uneven or soft ground, the anti-tipper can sink into potholes or directly into the ground, thereby curtailing or eliminating its safety function.

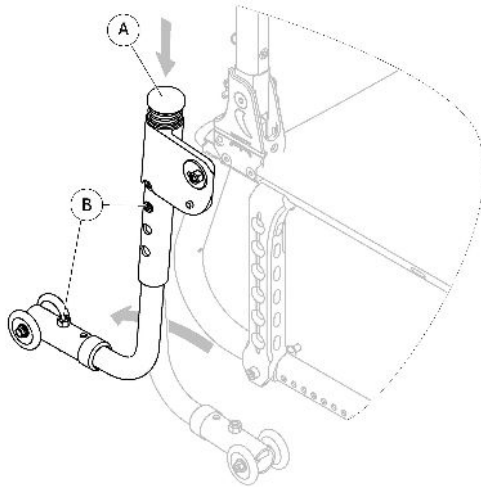
- Only use the anti-tipper when travelling on even and firm ground.



**NOTICE!**

**Risk of damage**

- Never step on the anti-tipper or use it as a tipping aid.



**Activating the anti-tipper**

1. Push the anti-tipper downwards Ⓐ and swivel it backwards until it engages.
2. Swivel it backwards until it engages.



**WARNING!**

**Risk of tipping**

An activated anti-tipper can catch when negotiating a step or an edge.

- Always deactivate the anti-tipper before driving over a step or kerb.

**Deactivating the anti-tipper**

1. Push the anti-tipper downwards Ⓐ and swivel it forwards until it engages.
2. Swivel it forwards until it engages.



**WARNING!**

**Risk of overturning**

- Always advise the user if you deactivate the anti-tippers.



There is a red label on the housing of the anti-tipper, this label shows when the anti-tipper is inactivated. When the anti-tipper is correctly activated, the red label will be concealed.

## Setting the height



### **WARNING!**

#### **Risk of overturning**

- The adjustments of the anti-tipper must be carried out by a qualified technician.



This adjustment is required with reference to the position and diameter of the rear wheel as well as the user conditions and his particular safety limits.



Make sure that the anti-tipper device is fitted correctly on each side (if applicable), both bolts **Ⓑ** must be locked into position.

## 3.10 Seat cushion

A suitable cushion is recommended to provide an even pressure distribution on the seat.



### **CAUTION!**

#### **Risk of instability**

Adding a cushion to the seat will raise your height above the ground and can affect your stability in all directions. If a cushion is changed it may also change the user's stability.

- If the thickness of the cushion is changed, a complete set up of the wheelchair need to be done by a qualified technician.
- We recommend using an Invacare or Matrix cushion with anti-slip base cover in order to prevent sliding.

## 4 Options

### 4.1 Posture belt

The wheelchair can be equipped with a posture belt. It prevents the user from sliding downward in the wheelchair or from falling out of the wheelchair. The posture belt is not a positioning device.

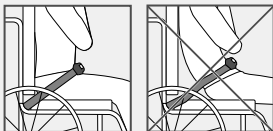


#### WARNING!

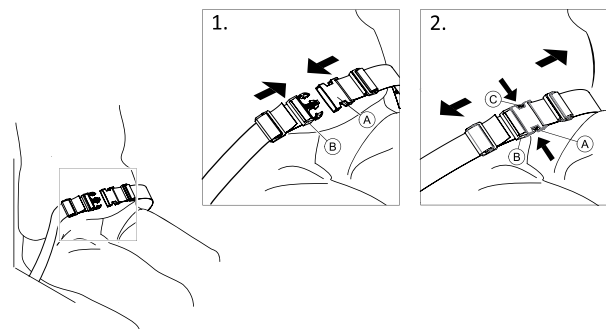
##### Risk of serious injury / strangulation

A loose belt can cause the user to slip down and create a risk of strangulation.

- The posture belt should be mounted by a qualified technician and fitted by a healthcare professional.
- Always make sure that the posture belt is tightly fitted across the lower pelvis.
- Each time the posture belt is used, check if it fits properly. Changing the seat and/or backrest angle, the cushion and even your clothes influence the fit of the belt.



### Closing and opening the posture belt



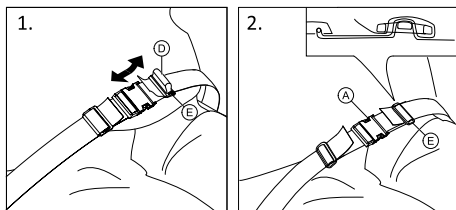
Ensure that you are sitting fully back in the seat and that the pelvis is as upright and symmetrical as possible.

1. To close, push the catch **A** into the buckle clasp **B**.
2. To open, push the PRESS button **C** and pull the catch **A** out of the buckle clasp **B**.

### Adjusting the length



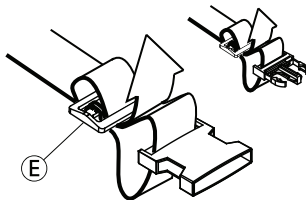
The posture belt has the good length, when there's just sufficient space for a flat hand between body and belt.



1. Shorten or extend the loop ① as required.
2. Thread loop ① through catch ② and plastic buckle ③ until the loop is flat.
3. Ensure loop ① is perfectly fitted in plastic buckle ③.
4. Secure adjustment with the strap extremity fitted in the buckle ③.

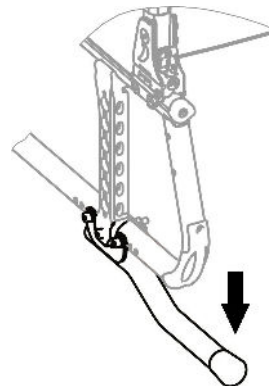
**WARNING!****Risk of sliding and strangulation / Risk of falling**

- Do the adjustments on both sides equally, so that the buckle clasp remains in a central position.
- Ensure that both strap extremities are threaded two times into the buckle ③ to avoid the belt from loosening.
- Make sure that the belts do not get caught in the spokes of a rear wheel.



## 4.2 Tipper aid

With the tipper aid, an assistant can tip the wheelchair more easily, in order to navigate steps for example.

**WARNING!****Risk of overturning**

- Ensure that the tipper aid does not project beyond the external diameter of the rear wheel.

1. Hold the wheelchair by the push handles.
2. Press the tipper aid with your foot and hold the wheelchair in the tipped position until you have overcome the obstacle.

### 4.3 Air pump

The air pump is fitted with a universal valve connection. Using the correct valve connection depends of the inner tube valve type.

1. Remove the dust cap from the valve connection.
2. Push the valve connection onto the open valve on the wheel and pump the wheel up.



There are two types of pumps available:

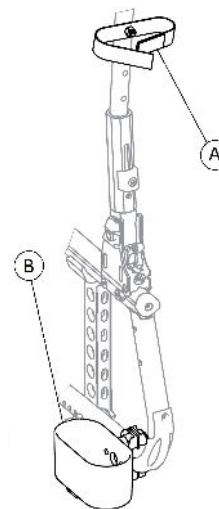
- Low pressure <6 bars
- High pressure >6 bars

Instruction for use printed on the packaging.

### 4.4 Passive illumination

You can attach reflectors to the rear wheels.

### 4.5 Cane holder



#### **WARNING!**

#### **Risk of overturning**

– Ensure that the cane holder does not project beyond the external diameter of the rear wheel.

1. Place the cane in the holder (B).
2. Fix the top of the cane to the backrest (A).

## 4.6 Luggage carrier

Your wheelchair can be fitted with a luggage carrier. When not in use, the luggage carrier can be folded up.

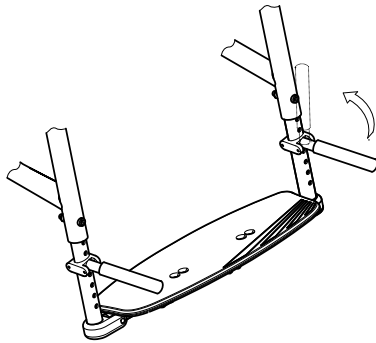


### WARNING!

#### Risk of tipping

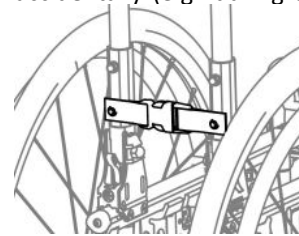
Weight on the carrier changes the tipping behavior of the wheelchair. The wheelchair can tip forwards more easily when the luggage carrier is loaded.

- Use the luggage carrier only for transporting small and lightweight luggage.
- Avoid driving the wheelchair too fast when carrying luggage.
- Avoid driving ramps and slopes when carrying luggage.
- Do not stand on the luggage carrier.



## 4.7 Securing strap

The securing strap is used to secure the wheelchair when folded. This prevents the wheelchair from unfolding accidentally (e.g. during transport).



1. Fold the wheelchair.
2. Clip both ends of the securing strap together.

---

## 5 Setup

---

### 5.1 Safety information



**CAUTION!**

**Risk of injury**

- Before using the wheelchair, check its general condition and its main functions, *8.2 Maintenance Schedule, page 51.*

Your authorized provider will supply your wheelchair ready for use. Your provider will explain the main functions and ensure that the wheelchair meets your needs and requirements.

Adjustments of the axle position and the castor supporters must be carried out by a qualified technician.

If you receive your wheelchair folded, read section *7.2 Folding and unfolding the wheelchair, page 42.*

### 5.2 Delivery check

Any transport damage must be reported immediately to the transport company. Remember to keep the packaging until the transport company has checked the goods and a settlement has been reached.



## 6 Using the wheelchair

### 6.1 Safety information

**WARNING!****Risk of accidents**

Uneven tyre pressure can have a huge effect on handling.

- Check the tyre pressure before each journey.

**WARNING!****Risk of falling out of the wheelchair**

When using front wheels that are too small, the wheelchair could get stuck at curbs or in floor grooves.

- Make sure that the front wheels are suitable for the surface you're driving on.

**CAUTION!****Risk of crushing**

There may be a very small gap between the rear wheel and the mudguard or armpad with the risk that you could trap your fingers.

- Ensure that you always propel your wheelchair using the handrims only.

**CAUTION!****Risk of crushing**

There may be a very small gap between the rear wheel and the parking brake with the risk that you could trap your fingers.

- Ensure that you always propel your wheelchair using the handrims only.

## 6.2 Braking During Use

Whilst you are moving, you brake by transferring force to the handrim with your hands.



### WARNING!

#### Risk of overturning

If you engage the parking brakes while you are moving, the direction of movement can become uncontrollable and the wheelchair may stop suddenly, which can lead to a collision or to you falling out.

- Never engage the parking brakes while you are moving.



### WARNING!

#### Risk of falling out of the wheelchair

If the wheelchair is rapidly decelerated by an assistant pulling at the push handles, the user may fall out of the wheelchair.

- Always apply the posture belt if present.
- Make sure your assistant is qualified in transferring occupied wheelchairs.
- Operate the two brakes simultaneously and do not take slopes exceeding 7° to ensure perfect control of the wheelchair steering.
- Always use the parking brakes to secure the wheelchair during short or long stops.



### CAUTION!

#### Risk of burning your hands

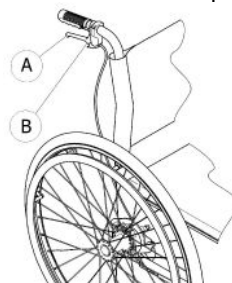
If you brake for a long time, a lot of frictional heat is produced at the handrims (especially anti slip handrims).

- Wear suitable gloves.

1. Hold the handrims and press evenly with both hands until the wheelchair stops.

### Braking with an assistant

With an assistant's brake (drum brake) an assistant can brake the wheelchair while it is moving. The assistant's brake can also be used as a parking brake.



1. To brake, pull the brake lever **A** on the push handle.
2. To park, pull the brake lever firmly and move the safety lever **B** upwards.
3. To release, pull the brake lever until the safety lever disengages.

### 6.3 Move to/from the wheelchair



#### WARNING!

##### Risk of overturning

There is a high risk of overturning during the transfer.

- Only get in and out without assistance if you are physically able to do so.
- When transferring, position yourself as far back as possible in the seat. This will prevent damaged upholstery and the possibility of the wheelchair tipping forward.
- Make sure that both castors are facing straight to the front.



#### WARNING!

##### Risk of overturning

The wheelchair could tip forwards if you stand on the footrest.

- Never stand on the footrest when getting in and out.



#### CAUTION!

If you disengage or damage the brakes the wheelchair could roll away out of control.

- Do not support yourself on the brakes when getting in and out.



#### NOTICE!

The mudguards and armrests could become damaged.

- Never sit on the mudguards or armrests when getting in and out.



1. Propel the wheelchair as near as possible to the seat that you want to move to.
2. Engage the parking brakes.
3. Remove the armrests or move them upwards out of the way.
4. Detach the leg rests or swing them outwards (if so equipped).
5. Place your feet on the ground.
6. Hold the wheelchair and, if necessary, also hold a fixed object in the vicinity.
7. Move slowly to chair.

## 6.4 Driving and Steering the Wheelchair

You drive and steer the wheelchair using the handrims. Before driving without an assistant you must find your wheelchair's tipping point.



### **WARNING!**

#### **Risk of Tipping**

The wheelchair can tip backwards.

- When finding the tipping point, an assistant must stand immediately behind the wheelchair to catch it if it tips over.
- To prevent tipping, install an antitipper device.



### **WARNING!**

#### **Risk of Tipping**

The wheelchair can tip forward.

- When setting up your wheelchair, test its behavior in terms of tipping forward and adjust your driving style accordingly.

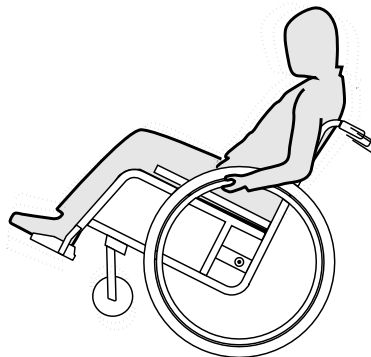


### **CAUTION!**

A heavy load hanging on the backrest can affect the wheelchair's centre of gravity.

- Change your driving style accordingly.

## Finding the Tipping Point



1. Release the brake.
2. Roll backwards a short distance, grasp both handrims firmly and push forwards with a slight kick.
3. The shift in weight and steering in opposite directions with the handrims will enable you to identify the tipping point.

## 6.5 Negotiating steps and kerbs



### WARNING!

#### Risk of overturning

When negotiating steps you could lose your balance and tip the wheelchair over.

- Always approach steps and kerbs slowly and carefully.
- Do not go up or down steps that are higher than 25 cm.



### CAUTION!

An activated anti-tipper prevents the wheelchair from tipping backwards.

- Deactivate the anti-tipper before going up or down steps or kerbs.



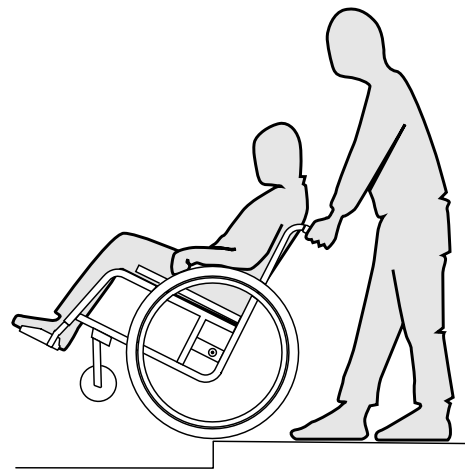
### WARNING!

#### Risk of injury to the assistant and damage to the wheelchair

Tilting the chair with a heavy user can hurt the assistant's back and damage the chair.

- Make sure to be able to safely control the wheelchair with a heavy user before performing a tilting maneuver.

## Going down a step with an assistant



1. Move the wheelchair right up to the kerb and hold the handrims.
2. The assistant should hold both push handles, place one foot on the tipper aid (if installed) and tilt the wheelchair backwards so that the front wheels lift off the ground.
3. The assistant should then hold the wheelchair in this position, push it carefully down the step and then tilt it forwards until the front wheels are back on the ground.

## Going up a step with an assistant



### **WARNING!**

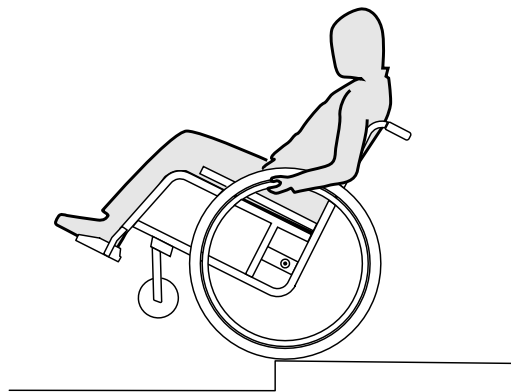
#### **Risk of serious injuries**

Going up steps and kerbs often than the normal use can cause a fatigue break of the wheelchair backrest and the user might fall out of the wheelchair.

– Make sure that the wheelchair can be controlled by the user or the assistant before performing a tilting maneuver.

1. Move the wheelchair backwards until the rear wheels touch the kerb.
2. The assistant should tilt the wheelchair using both push handles so that the front wheels lift off the ground, then pull the rear wheels over the kerb until the front wheels can be placed back on the ground.

## Going down a step without an assistant



### **WARNING!**

#### **Risk of tipping**

When going down a step without an assistant you could tip over if you cannot control your wheelchair.

- First learn how to go down a step with an assistant.
- Learn how finding the tipping point to balance on the rear wheels, *6.4 Driving and Steering the Wheelchair, page 36.*

1. Move the wheelchair right to the kerb, lift the front wheels and keep the wheelchair balanced.
2. Now slowly roll both rear wheels over the kerb. While doing this, hold the handrims firmly with both hands until the front wheels are back on the ground.

## 6.6 Going up and down stairs



### WARNING!

#### Risk of overturning

When negotiating stairs you could lose your balance and overturn your wheelchair.

- Always use two assistants when negotiating stairs with more than one step.



1. You can go up and down stairs by taking them one step at a time, as described above. The first assistant should stand behind the wheelchair holding the push handles. The second assistant should hold a solid part of the front frame to steady the wheelchair from the front.

## 6.7 Negotiating Ramps and Slopes



### WARNING!

#### Risk due to wheelchair being out of control

When negotiating slopes or gradients your wheelchair could tip backwards, forwards or sideways.

- Always have an assistant behind the wheelchair when approaching long slopes.
- Avoid lateral slopes.
- Avoid slopes of more than 7°.
- Avoid jerking when changing direction on a slope.



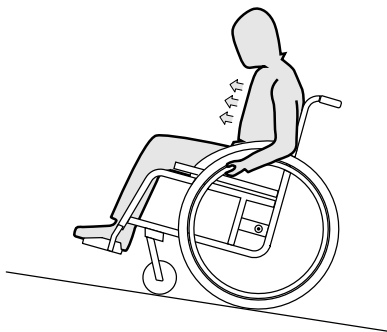
### CAUTION!

Your wheelchair could run away even on slightly sloping ground if you do not control it using the handrims.

- Use the parking brakes if your wheelchair is stationary on sloping ground.

### Going up slopes

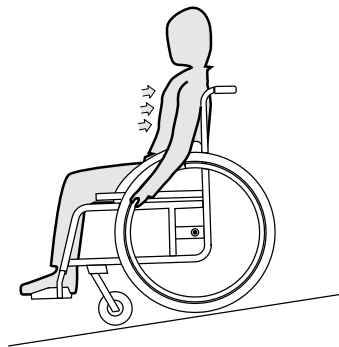
To go up a slope, you must create some momentum, keep up the momentum and control the direction at the same time.



1. Bend your upper body forwards and propel the wheelchair with quick, powerful strokes on both handrims.

### Going down slopes

When going down slopes, it is important to control your direction and particularly your speed.



1. Lean back and carefully allow the handrims to run through your hands. You should be able to stop the wheelchair at any time by gripping the handrims.



### **CAUTION!**

#### **Risk of burning your hands.**

If you brake for a long time, a lot of frictional heat is produced at the handrims (especially anti slip handrims).

– Wear suitable gloves.



## 6.8 Stability and balance when seated

Some everyday activities and actions require you to lean forwards, sideways or backwards out of the wheelchair. This has a major effect on the wheelchair's stability. To keep your balance at all times, proceed as follows:

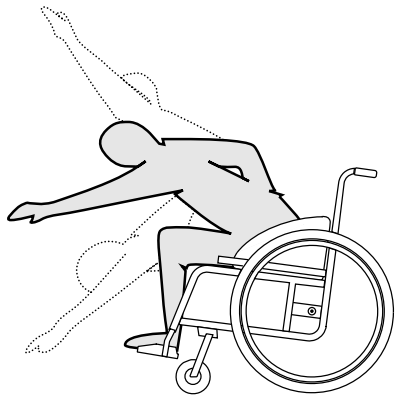
### Leaning forwards



#### **WARNING!** **Risk of falling**

If you lean forwards out of the wheelchair you could fall out of it.

- Never bend too far forwards and do not shift forwards in your seat to reach an object.
- Do not bend forwards between your knees to pick up something off the floor.



1. Point the front wheels forwards. (To do this, move your wheelchair forwards slightly then back again.)
2. Apply both parking brakes.
3. When leaning forwards your upper body must remain over the front wheels.

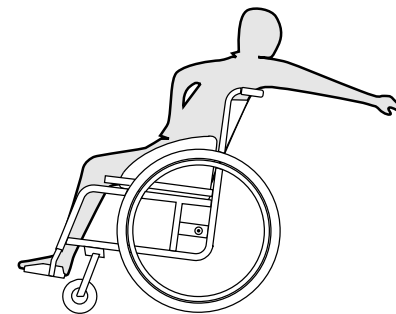
### Reaching backwards



#### **WARNING!** **Risk of falling**

If you lean too far backwards you could tip your wheelchair over.

- Do not lean out over the backrest.
- Use an antitipper device.



1. Point the front wheels forwards. (To do this, move your wheelchair forwards slightly then back again.)
2. Do not apply the parking brakes.
3. When reaching backwards do not reach so far that you have to change your sitting position.

## 7 Transport

### 7.1 Safety information



#### **WARNING!**

#### **Risk of injury if the wheelchair is not properly secured**

In the event of an accident, braking manoeuvre, etc. you may suffer serious injuries from flying wheelchair parts.

- Firmly secure all wheelchair components in the means of transport to prevent them from coming loose during the journey.

### 7.2 Folding and unfolding the wheelchair



#### **CAUTION!**

#### **Risk of pinching**

- Keep your second hand away from movable parts of the folding mechanism during folding or unfolding the wheelchair.



#### **NOTICE!**

- Do not fold and unfold the wheelchair when the back is hinged down.



The tension of the seat upholstery can be adjusted to facilitate or strengthen folding/unfolding's operation. Invacare recommends that the tension adjustment is carried out by a qualified technician.

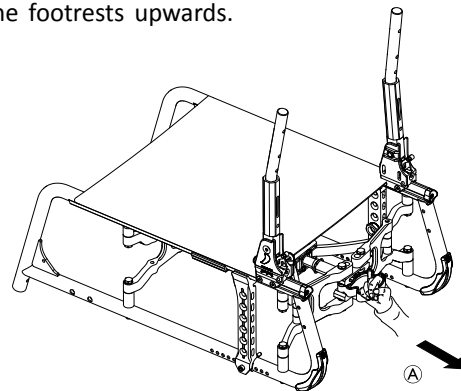
### Folding the wheelchair



#### **NOTICE!**

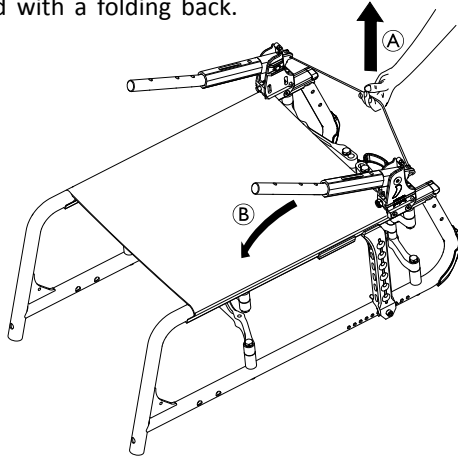
- Release the backbrace, if present, before folding the wheelchair.

1. Remove the seat cushion, if present.
2. Fold the footrests upwards.



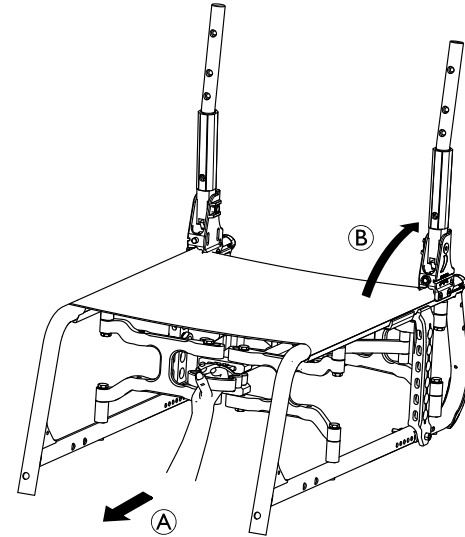
3. Push on the black plastic handle on the front or pull the black plastic handle **A** on the rear of the wheelchair.
4. Pull the seat cover upwards.

5. Now you can fold the backrest down, if your wheelchair is fitted with a folding back.



6. Pull the pull-cord **A** upwards at the back of the wheelchair. The backrest **B** folds forwards.
7. With both hands, pull the seat cover and the backrest cover upwards. The wheelchair folds up completely.

## Unfolding the wheelchair



### CAUTION!

#### Risk of getting fingers caught

There is a risk of getting your fingers caught between the parts of the folding mechanism.  
 – Therefore never clasp the folding mechanism with your fingers.

1. Position the wheelchair next to you.
2. Maintain the wheelchair by the front frame with your second hand.
3. Pull the black plastic handle **A** on the front or push on the black plastic handle on the rear of the wheelchair.

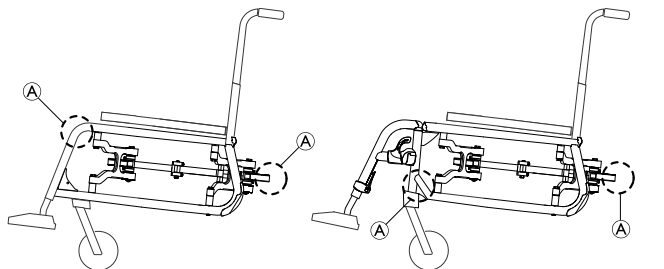
4. An audible “click” must be heard. The wheelchair unfolds completely.
5. Pull up the backrest at the push-handles until the ratchet bolts engage in the lateral supports ②.
6. Fold the footrests down.
7. If fitted, replace the backbrace by swinging it upwards.

### 7.3 Lifting the wheelchair



#### NOTICE!

- Never lift the wheelchair by removable parts (armrests, footrests).
- Ensure the backrest posts are securely in place.



1. Fold the wheelchair, see chapter 7.2 *Folding and unfolding the wheelchair*, page 42.
2. Always lift the wheelchair by gripping the frame at points ①.

### 7.4 Removing and fitting the rear wheels

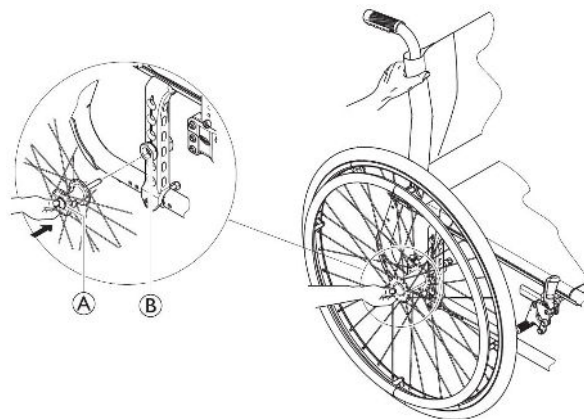


#### WARNING!

#### Risk of overturning

If the removable axle of a rear wheel is not fully engaged, the wheel can become loose during use. This can lead to overturning.

- Always ensure that the removable axles are fully engaged whenever you fit a wheel.



#### Removing the rear wheels

1. Release the brakes.
2. With one hand, hold the wheelchair upright.
3. With the other, hold the wheel through the external spoke rim around the wheel hub.
4. Using your thumb, press the removable axle button ①. Keep it pressed and pull the wheel out of the adapter sleeve ②.

## Fitting the rear wheels

1. Release the brakes.
2. With one hand, hold the wheelchair upright.
3. With the other, hold the wheel through the external spoke rim around the wheel hub.
4. Using your thumb, press the removable axle button and hold it down.
5. Push the axle into the adapter sleeve **B** up to the stop.
6. Release the removable axle button and make sure that the wheel is secure.

## 7.5 Transporting the Manual Wheelchair without Occupant



### CAUTION!

#### Risk of injury

- If you are unable to fasten your manual wheelchair securely in a transport vehicle, Invacare recommends that you do not transport it.

Your manual wheelchair may be transported without restrictions, whether by road, rail or by air. Individual transport companies have, however, guidelines which can possibly restrict or forbid certain transport procedures. Please ask the transport company regarding each individual case.

- Invacare strongly recommends securing the manual wheelchair to the floor of the transporting vehicle.

## 7.6 Transporting the Occupied Wheelchair in a Vehicle

Even when the wheelchair is properly secured and the following rules are met, injuries to passengers may occur in a collision or sudden stop. Therefore Invacare strongly recommends transferring the wheelchair user to the vehicle seat. Do not make alterations or substitutions to points of the wheelchair (structure, frame or parts) without the written consent of Invacare Corporation. The wheelchair has been successfully tested according to the requirements of ISO 7176–19 (Frontal impact).



### WARNING!

#### Risk of serious injury or death

To use the wheelchair as a seat in a vehicle the backrest height minimum must be at least 400 mm.

To transport the wheelchair with user in a vehicle, a restraint system must be installed in the vehicle. Wheelchair tie-downs and occupant restraint systems must be approved according to ISO 10542-1. Contact your local Invacare authorized provider for more information on getting and installing an approved and compatible restraint system.



**WARNING!**

If, for some reason, it is impossible to transfer the wheelchair user to a vehicle seat, the wheelchair can be used as a seat in a vehicle if the following procedures and regulations are followed. A transportation kit (optional) have to be fitted on the wheelchair for such a purpose.

- The wheelchair must be secured in the vehicle with a 4-point wheelchair restraint system.
- The user must wear a 3-point passenger restraint system secured to the vehicle.
- The user can be additionally secured with a posture belt in the wheelchair.



**WARNING!**

Safety restraint devices must only be used when the wheelchair user's weight is 22 kg or more (ISO-7176-19).

- Do not use the wheelchair as a seat in a vehicle when the user weight is lower than 22 kg.



**WARNING!**

– Before journey contact transporter and request information about the capability for the below required equipment.

- Make sure there is sufficient free space around the wheelchair and user to avoid the user making contact with other vehicle occupants, unpadded parts of the vehicle, wheelchair options or anchor points of the restraint system.



**WARNING!**

- Make sure the tie-down points at the wheelchair are not damaged and that the parking brakes are fully functional.
- It's recommended to use puncture-proof tyres during transport to avoid brake problems due to reduced tyre pressure.



**WARNING!**

Injury or damage may occur from wheelchair components or options loosened during a collision or sudden stop.

- Ensure all removable or detachable components and options are removed from the wheelchair and securely stored in the vehicle.
- It is essential to have your wheelchair checked by a qualified technician after an accident, collision etc.

**Ramps and Slopes:**



**WARNING!**

**Risk of injury**

The wheelchair can move forward / backward uncontrollably by mistake.

- Never leave the user unattended when transporting the wheelchair up or down ramps or slopes.



Therefore Invacare strongly recommends transferring the wheelchair user to the vehicle with the posture belt on.

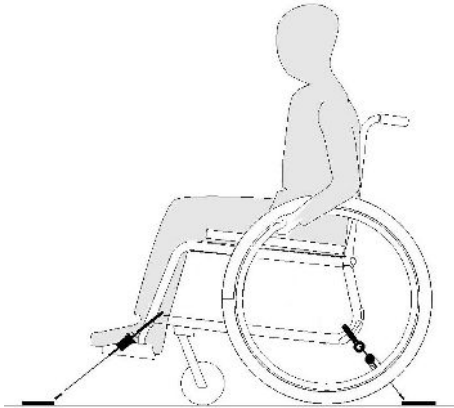
**!** **NOTICE!**

- Refer to the user manuals supplied with the restraint systems.
- The following illustrations may differ depending on the restraint system supplier.



The choice of wheelchair configuration (seat width and depth, wheelbase) influences maneuverability and access to motor vehicles.

### Securing the wheelchair with a 4-point restraint system

**WARNING!**

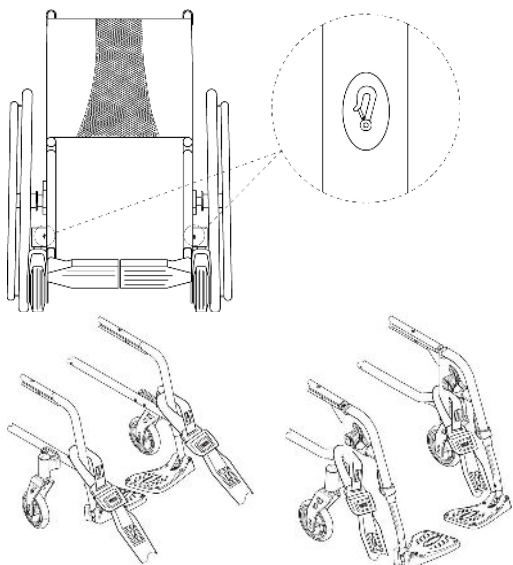
- Place the wheelchair with the user forward-facing in direction of vehicle travel.
- Engage the wheelchair parking brakes.

The wheelchair tie-down positions where the restraint system straps must be placed are marked with snap hook

symbols (see following figures and section 2.3 *Labels and symbols on the product, page 9*).

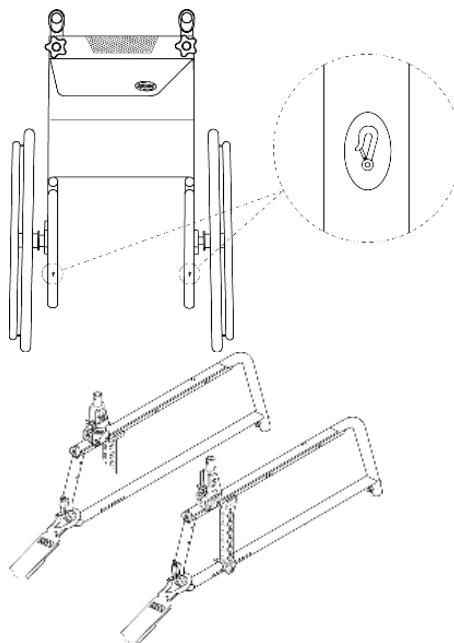
1. Using the front and rear straps of the 4-point restraint system, secure the wheelchair to the vehicle mounted rails. Refer to the user manual supplied with 4-point restraint system.

### Front side tie-down positions for belt straps:



1. Attach the front straps above the castor supporters as shown in the two figures above (see location of the attachment labels).
2. Attach front straps to the rail system referring to best practice recommended instructions from the safety belt manufacturer.
3. Disengage parking brakes and apply tension front straps by pulling the wheelchair backwards from the rear.
4. Re-engage parking brakes.
5. Activate anti-tipper (if installed).

### Rear side tie-down positions for snap hooks:



1. Attach the snap hooks to the rear frame right above the adapter plate as shown in the two figures above (see location of the attachment labels).
2. Attach rear straps to the rail system referring to best practice recommended instructions from the safety belt manufacturer.
3. Tighten the straps.



**!** **NOTICE!**

- Make sure that the snap hooks are covered with slip resistant material to avoid laterally slipping on the axle.

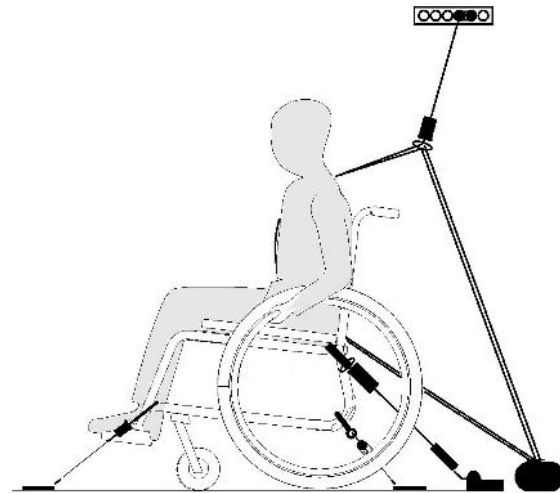
**!** **NOTICE!**

- Check the plungers are fully engaged on both sides and located in the same position of the cut-out section of the rail.
- Make sure that the angle between the rails and the straps lies between 40° and 45°.

**Fit posture belt****WARNING!**

The posture belt could be used in addition to but never as a substitute for an approved passenger restraint system (3-point belt).

1. Adjust posture belt to fit the wheelchair occupant, see section 4.1 *Posture belt*, page 28.

**Fastening the 3-point passenger restraint system****NOTICE!**

The illustration above may differ depending on the restraint system supplier.



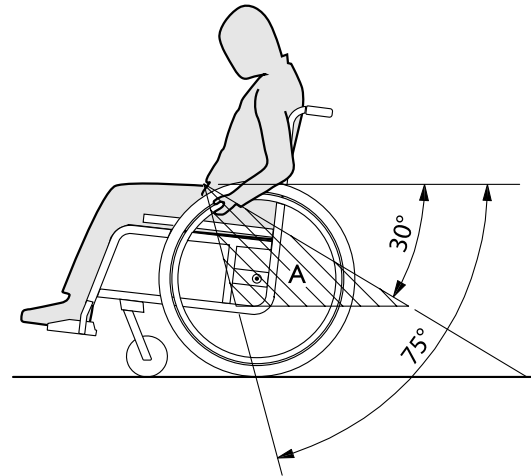
**WARNING!**

- Ensure the 3-point passenger restraint system fits as tightly across the user's body as possible without discomfort and no part is twisted.
- Ensure the 3-point passenger restraint system is not held away from the user's body by parts of the wheelchair such as armrests or wheels etc.
- Ensure the user restraint has a clear path from the user to the anchor point without interference by any part of the vehicle, wheelchair, seating or option.
- Ensure the lap belt fits snugly over the occupant's pelvis and is not allowed to ride up into the abdominal area.
- Ensure the user is able to reach the release mechanism unaided.



**NOTICE!**

- Apply the pelvic belt of the 3-point belt restraint system low across the pelvis so that the angle of the pelvic belt is within the preferred zone (A) of 30° to 75° to the horizontal. A steeper angle is preferred, but never exceeding 75°.



1. Attach the 3-point passenger restraint system referring to the user manual supplied with your 3-point restraint system.

## 8 Maintenance

### 8.1 Safety information



#### **WARNING!**

Some materials deteriorate naturally over time. This could result in damage to wheelchair components.

- Your wheelchair should be checked by a qualified technician at least once a year or if it has not been used for a long period.



#### Packaging for return

The wheelchair shall be sent to the authorized provider in an appropriate packaging to avoid damage during the shipment.

### 8.2 Maintenance Schedule

To ensure safe and reliable operation, carry out the following visual checks and maintenance regularly or have it carried out by another person.

	weekly	monthly	annually
Check the tyre pressure	x		
Check that rear wheels are seated correctly	x		
Check posture belt	x		

	weekly	monthly	annually
Check the folding mechanism		x	
Check the castors and its fixation		x	
Check bolts		x	
Check spokes		x	
Check parking brakes		x	
Have wheelchair checked by a qualified technician			x

#### General visual check

1. Examine your wheelchair for loose parts, cracks or other defects.
2. If you find anything, stop using your wheelchair immediately and contact an authorized provider.

#### Check the tyre pressure

1. Check the tyre pressure, see section “Tyres” for more information.
2. Inflate the tyres to the required pressure.
3. Check the tyre tread at the same time.
4. If necessary, change the tyres.

### Check that rear wheels are seated correctly

1. Ensure that the axle ball is outside its receiver by visually checking it and pull on the rear wheel to check that the removable axle is seated correctly. The wheel should not come off.
2. If the rear wheels are not engaged properly, remove any dirt or deposits. If the problem persists, have the removable axles re-fitted by a qualified technician.

### Check posture belt

1. Check that the posture belt is adjusted correctly.



#### NOTICE!

- Loose posture belts must be adjusted by an authorized provider.
- Damaged posture belts must be replaced by a qualified technician.

### Check the folding mechanism

1. Check that the folding mechanism is easy operating.

### Check the castors and its fixation

1. Check that the castors turn freely.
2. Push and pull in the 3 directions (front and rear; left and right; up and down) to observe that is no free play and movement, also check that there is no visual damage.

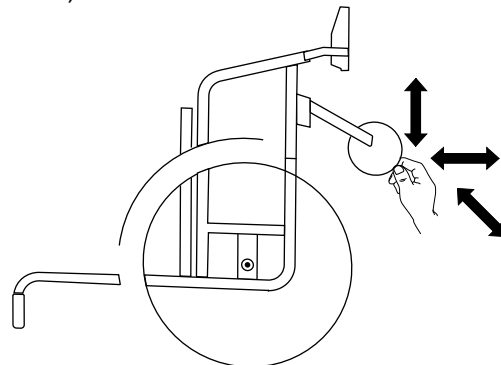


Fig. 8-1

3. Remove any dirt or hair from the castor bearings.
4. Faulty or worn out castors fixation must be replaced by a qualified technician.

### Check the bolts

Bolts can work loose through constant use.

1. Check that the bolts are tight securely and without free play (on the footrest, castor, castor housing, seat cover, sides, backrest, frame, seat module).
2. Tighten any loose bolts with the suitable torque.

**! NOTICE!**

Self-locking screws/nuts or thread-locking adhesive are used for several connections. If these are loosened, they must be replaced by new self-locking screws/nuts or they must be secured using new thread-locking adhesive.

- Self-locking screws/nuts must be replaced by a qualified technician.

**Check the spoke tension**

The spokes should not be loose or distorted.

1. Loose spokes must be tightened by a qualified technician.
2. Broken spokes must be replaced by a qualified technician.

**Check the parking brakes**

1. Check that the parking brakes are positioned correctly. The brake is set correctly if the brake shoe depresses the tyre by a few millimeters when the brake is engaged.
2. If you find that the setting is not correct, have the brakes correctly adjusted by a qualified technician.

**! NOTICE!**

The parking brakes must be reset after replacing the rear wheels or changing their position.

**Checking after a heavy collision or blow****! NOTICE!**


The wheelchair can sustain visibly undetectable damage as a result of a heavy collision or hard blow.

- It is essential to have your wheelchair checked by a qualified technician after a heavy collision or hard blow.

**Repairing or changing an inner tube**

1. Remove the rear wheel and release any air from the inner tube.
2. Lift one tyre wall away from the rim using a bicycle tyre lever. Do not use sharp objects such as a screwdriver which could damage the inner tube.
3. Pull the inner tube out of the tyre.
4. Repair the inner tube using a bicycle repair kit or, if necessary, replace the tube.
5. Inflate the tube slightly until it becomes round.
6. Insert the valve into the valve hole on the rim and place the tube inside the tyre (the tube should lie right round the tyre with no creases).
7. Lift the tyre wall over the edge of the rim. Start close to the valve and use a bicycle tyre lever. When doing this, check all the way round to ensure that the inner tube is not trapped between the tyre and the rim.
8. Inflate the tyre to the maximum operating pressure. Check that no air is escaping from the tyre.

## Spare parts

-  All spare parts may be obtained from an Invacare authorized provider.

## 8.3 Cleaning and Disinfection

### 8.3.1 General Safety Information



#### **CAUTION!** Risk of Contamination

- Take precautions for yourself and use appropriate protective equipment.



#### **NOTICE!**

- Wrong fluids or methods can harm or damage the product.
- All cleaning agents and disinfectants used must be effective, compatible with one another and must protect the materials they are used to clean.
  - Never use corrosive fluids (alkalines, acid etc.) or abrasive cleaning agents. We recommend an ordinary household cleaning agent such as dishwashing liquid, if not specified otherwise in the cleaning instructions.
  - Never use a solvent (cellulose thinner, acetone etc.) that changes the structure of the plastic or dissolves the attached labels.
  - Always make sure that the product is completely dried before taking it into use again.



For cleaning and disinfection in clinical or long-term care environments, follow your in-house procedures.

### 8.3.2 Cleaning Intervals



#### **NOTICE!**

Regular cleaning and disinfection enhance smooth operation, increases the service life and prevents contamination.

Clean and disinfect the product:

- regularly while in use,
- before and after any service procedure,
- when it has been in contact with any body fluids,
- before using it for a new user.

### 8.3.3 Cleaning




#### **NOTICE!**

Dirt, sand and seawater can damage the bearings and steel parts can rust if the surface is damaged.

- Only expose the wheelchair to sand and seawater for short periods and clean it after every trip to the beach.
- If the wheelchair is dirty, wipe off the dirt as soon as possible with a damp cloth and dry it carefully.


1. Remove any options fitted (only options which do not require tools).
2. Wipe down the individual parts using a cloth or soft brush, ordinary household cleaning agents (pH = 6 - 8) and warm water.

3. Rinse the parts with warm water
4. Thoroughly dry the parts with a dry cloth.

 Car polish and soft wax can be used on painted metal surfaces to remove abrasions and restore gloss.


### **Cleaning upholstery**

For cleaning upholstery refer to the instructions on the labels of the seat, cushion and backrest cover.

 If possible, always overlap hook and loop strips (the self-gripping parts) when washing, to minimize lint and thread build-up on hook strips and prevent damage to upholstery fabric by these.

#### **8.3.4 Disinfection**

The wheelchair may be disinfected by spraying or wiping with tested, approved disinfectants.

 Spray a soft cleaning and disinfecting product (bactericidal and fungicide meeting the EN1040 / EN1276 / EN1650 standards) and follow the instructions given by the manufacturer.

1. Wipe down all generally accessible surfaces with a soft cloth and ordinary household disinfectant.
2. Allow the product to air-dry.

---

## 9 Troubleshooting

---

### 9.1 Safety information

Faults may arise as a result of daily use, adjustments or changing demands on the wheelchair. The table below shows how to identify and repair faults.

Some of the actions listed must be carried out by a qualified technician. These are indicated. We recommend that *all* adjustments are carried out by a qualified technician.



#### **CAUTION!**

– If you notice a fault with your wheelchair, e.g. a significant change in handling, stop using your wheelchair immediately and contact your provider.



## 9.2 Identifying and repairing faults

Fault	Possible cause	Action
The wheelchair does not travel in a straight line	Incorrect tyre pressure on one rear wheel	Correct tyre pressure, → <i>11.3 Tyres, page 62</i>
	One or more spokes broken	Replace faulty spoke(s), → qualified technician
	Spokes tightened unevenly	Tighten loose spokes, → qualified technician
	Castor bearings are dirty or damaged	Clean the bearings or replace the castor, → qualified technician
The wheelchair tips backwards too easily	Rear wheels are mounted too far forwards	Mount the rear wheels further back, → qualified technician
	Back angle too large	Reduce the backrest angle, → qualified technician
	Seat angle too large	Mount the adapter plate lower on the side profile, → qualified technician Select a smaller front fork, → qualified technician
The brakes are gripping poorly or asymmetrically	Incorrect tyre pressure in one or both rear tyres	Correct tyre pressure, → <i>11.3 Tyres, page 62</i>
	Brake setting incorrect	Correct the brake setting, → qualified technician
Rolling resistance is very high	Tyre pressure in rear tyres is too low	Correct tyre pressure, → <i>11.3 Tyres, page 62</i>
	Rear wheels not parallel	Ensure the rear wheels are parallel, → qualified technician
The castors wobble when moving fast	Too little tension in castor bearing block	Tighten the nut on the bearing block axle slightly, → qualified technician
	Castor has worn smooth	Change castor, → qualified technician

<b>Fault</b>	<b>Possible cause</b>	<b>Action</b>
The castor is stiff or stuck	Bearings are dirty or faulty	Clean the bearings or replace the castor, → qualified technician
The wheelchair is very difficult to unfold	Backrest cover is too tight	Loosen the hook and loop strips of the backrest cover a little, → <i>3.5 Backrest, page 15</i>

## 10 After Use

### 10.1 Storage



#### **NOTICE!**

- Risk of damage to the product
  - Do not store the product near heat sources.
  - Never store other items on top of the wheelchair.
  - Store the wheelchair indoors in a dry environment.
  - Refer to temperature limitation in chapter 11 *Technical Data, page 60.*

After long-term storage (more than four months) the wheelchair must be inspected in accordance to chapter 8 *Maintenance, page 51.*

### 10.2 Disposal

Be environmentally responsible and recycle this product through your recycling facility at its end of life.

Disassemble the product and its components, so the different materials can be separated and recycled individually.

The disposal and recycling of used products and packaging must comply with the laws and regulations for waste handling in each country. Contact your local waste management company for information.

### 10.3 Reconditioning

This product is suitable for reuse. To recondition the product for a new user, carry out the following actions:

- Inspection
- Cleaning and disinfection
- Adaptation to the new user

For detailed information, see 8 *Maintenance, page 51* and the service manual for this product.

Make sure that the user manual is handed over with the product.

If any damage or malfunction is detected, do not reuse the product.

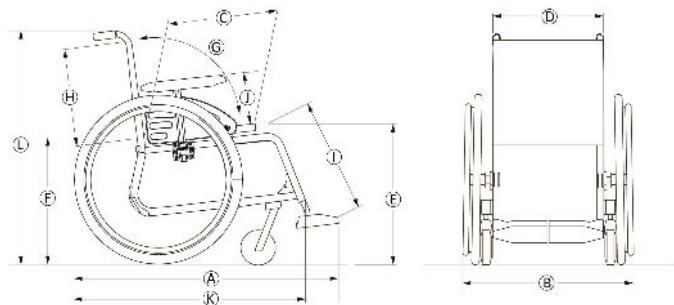
## 11 Technical Data

### 11.1 Dimensions and weight

All dimension and weight specifications refer to a wide range of the wheelchair in a standard configuration. Dimension and weight (based on ISO 7176-1/5/7) may alter according to different configurations.

#### ! NOTICE!

- In some configurations, the overall dimensions of the wheelchair when it is ready for use exceeds the authorised limits and the access to emergency escape routes is not possible.
- In some configurations, the wheelchair exceeds the size recommended for travelling by train in the EU.



	Maximum user weight	Seat width 305 – 330: 100 kg Seat width 355 – 530: 130 kg
Ⓐ	Overall length with leg rests	845 – 1205 mm
Ⓑ	Overall width *	350 – 500 mm, in increments of 25 mm
	Stowage width	320 – 380 mm
	Stowage height	480 – 670 mm
	Stowage length	670 – 860 mm
	Total mass	from 12,3 kg
	Mass of the heaviest part	from 8,3 kg
	Static stability	Downhill: 0° – 21° Uphill: 0° – 12° Sideways: 0° – 21°
	Seat plane angle	0° – 9°
Ⓒ	Effective seat depth	350 – 500 mm, in increments of 25 mm
Ⓓ	Effective seat width	305 – 530 mm, in increments of 25 mm
Ⓔ	Seat surface height at front edge	360 – 535 mm, in increments of 25 mm

Ⓕ	Seat surface height at rear edge	360 – 510 mm, in increments of 25 mm
Ⓖ	Backrest angle	Range: $-15^{\circ}$ / $+15^{\circ}$ Fixed: $90^{\circ}$ Adjustable: $90^{\circ}$ ; $-15^{\circ}/+15^{\circ}$ step less
Ⓗ	Backrest height	300 – 500 mm
Ⓘ	Footrest to seat distance	200 – 565 mm, in increments of 10 mm
	Leg to seat surface angle	$70^{\circ}$ – $90^{\circ}$
Ⓙ	Armrest to seat height	Range: 186 – 280 mm Tubular: 238 – 275 mm N° 1: 186 – 266 mm N° 3: 205 – 280 mm
	Front location of armrest structure	240 – 350 mm
	Hand rim diameter	390 – 535 mm
	Horizontal location of axle	+14 / +89 mm
	Minimum turning radius	1250 mm
Ⓚ	Overall length without leg rests	670 – 860 mm
Ⓛ	Overall height	701 – 1108 mm

	Pivot width	1250 - 1530 mm
	Maximum slope angle brake	$7^{\circ}$

\* Depends on camber


## 11.2 Maximum Weight of Removable Parts


Maximum weight of removable parts	
Part:	Maximum weight:
Leg rest angle adjustable with calf pad and footrest	3,2 kg
Armrest	2,0 kg
Rear wheel 600 mm (24") solid with handrim and spoke guard	2,5 kg
Headrest / Neckrest / Cheek support	1,4 kg
Trunk support	0,8 kg
Backrest cushion	2,0 kg
Seat cushion	1,9 kg
Table tray	3,9 kg


## 11.3 Tyres

The ideal pressure depends on the tyre type:

Tyre	Max. pressure		
	bar	kPa	psi
Pneumatic profiled tyre: 560 mm (22"); 610 mm (24")	4.5 bar	450 kPa	65 psi
Pneumatic low profile tyre: 560 mm (22"); 610 mm (24")	7.5 bar	750 kPa	110 psi
Schwalbe® Marathon Plus Evolution tyre: 610 mm (24"); 635 mm (25")	10 bar	1000 kPa	145 psi
Solid tyre: 560 mm (22"); 610 mm (24")	-	-	-
Solid tyre: 100 mm (4"); 125 mm (5"); 150 mm (6"); 180 mm (7")	-	-	-

 The compatibility of the tyres listed above depends on the configuration and/or model of your wheelchair.

 In case of a tyre puncture consult a suitable workshop (e.g. bike repair shop, bicycle dealer ...) to have the tube replaced by a skilled person.

 The size of the tyre is mentioned on the sidewall of the tyre. The change of appropriate tyres must be carried out by a qualified technician.





### CAUTION!

– The tyres pressure have to be equal in both wheels to avoid a less driving comfort, to keep the brakes efficiency and an easy propelling of the wheelchair.

## 11.4 Materials


Frame/backrest tubes	Aluminum, Steel
Upholstery (seat and backrest)	Foam PUR, Fabric Nylon and Polyester
Push handles	PVC
Plastic parts like brake handles, clothes guards, foot plates, armpads and parts of most options	Thermoplastic (e.g. PA, PP, ABS and PUR) according to marking on the parts
Folding mechanism / vertical brace / clamping parts / castor forks	Aluminum, Steel
Screws, washers and nuts	Steel

 All materials used are protected against corrosion. We use only REACH compliant materials and components.

 Theft and metal detection systems: in seldom cases the materials used in the wheelchair may activate theft and metal detection systems.

### 11.5 Environmental conditions

	Storage and transportation	Operation
Temperature	-20 °C to 40 °C	-5 °C to 40 °C
Relative humidity	20 % to 90 % at 30 °C, not condensing	
Atmospheric pressure	800 hPa to 1060 hPa	

 Be aware that when a wheelchair has been stored under low temperatures, it must be adjusted to chapter 8 *Maintenance*, page 51 before use.



**United Kingdom & Ireland:**

Invacare Limited  
Pencoed Technology Park, Pencoed  
Bridgend CF35 5AQ  
Tel: (44) (0) 1656 776 200  
uk@invacare.com  
www.invacare.co.uk

**New Zealand:**

Invacare New Zealand Ltd  
4 Westfield Place, Mt Wellington 1060  
New Zealand  
Phone: 0800 468 222  
Fax: 0800 807 788  
sales@invacare.co.nz  
www.invacare.co.nz

**Australia:**

Invacare Australia Pty. Ltd.  
Unit 18/12 Stanton Road,  
Seven Hills, NSW 2147,  
Australia  
Phone: 1800 460 460  
Fax: 1800 814 367  
orders@invacare.com.au  
www.invacare.com.au

**Asia:**

Invacare Asia Ltd.  
Unit 18/12 Stanton Road,  
Seven Hills, NSW 2147  
Australia  
Phone: (61) (02) 8839 5333  
Fax: (61) (02) 8839 5343  
asiasales@invacare.com  
www.invacare.com



Invacare France Operations SAS  
Route de St Roch  
F-37230 Fondettes  
France



Invacare UK Operations Limited  
Unit 4, Pencoed Technology Park, Pencoed  
Bridgend CF35 5AQ  
UK

1587471-H 2023-08-31



**Making Life's Experiences Possible®**



**Yes, you can.®**